

# ENGEL

REFRIGERATOR  
OWNER'S MANUAL

EN

DAS HANDBUCH VON  
KÜHLSCHRANK-BESITZER

DE

LE MANUEL DE PROPRIÉTAIRE DE  
RÉFRIGÉRATEUR

FR

KØLESKAB BRUGSVEJLEDNING

DA

## **MT Series**

MT17F-G3-D

MT27F-G3-D

MT35F-G3, MT35F-G3-DM, MT35F-G3-S

MT45F-G3, MT45F-G3-DM, MT45F-G3-S

## **MR Series**

MR040F-G3



SAWAFUJI ELECTRIC CO., LTD.




Thank you for purchasing an ENGEL refrigerator. Read this manual carefully before starting to use it. Keep this manual in a safe place for future reference. If the product is resold, this operating manual must accompany it.

## **Contents**

<b>1. Explanation of symbols</b> .....	2
<b>2. Safety instructions</b> .....	2
<b>3. Intended use</b> .....	10
<b>4. Controller and display</b> .....	10
<b>5. Installation and ventilation</b> .....	12
<b>6. Operation</b> .....	13
6.1 Connection to 220V-240V AC.....	13
6.2 Connection to 12V or 24V DC battery.....	13
6.2.1 Connection to cigarette lighter socket.....	14
6.2.2 Onboard direct wiring with optional kit... ..	15
6.2.3 Wiring diagram of dual battery hookup.....	16
<b>7. Maintenance of refrigerator</b> .....	18
7.1 Cleaning interior and door.....	18
7.2 Defrosting.....	18
7.3 Caution about fuse and replacement.....	19
<b>8. Trouble shooting</b> .....	20
<b>9. Disposal</b> .....	21
<b>10. Warranty</b> .....	21
<b>11. Before initial use</b> .....	22
11.1 Installation of handles.....	22
11.2 Reversing door-swing direction (MR040F-G3)...	23
<b>12. Power cord List</b> .....	24
<b>13. Technical data</b> .....	25
<b>14. Service agent</b> .....	28

## **1. Explanation of symbols**

The following symbols are used in this OWNER'S MANUAL.

 <b>WARNING</b>	Failure to observe this instruction can cause fatal or serious injury.
 <b>CAUTION</b>	Failure to observe this instruction can lead to injury.
 <b>NOTICE</b>	Failure to observe this instruction can cause material damage and impair the function of the product.

## **2. Safety instructions**

Read this manual carefully before starting to use the refrigerator. These instructions are safety measures for preventing accidents.

### **WARNING**

- This refrigerator can be used by children age 8 and above and persons with reduced physical, sensory or mental capabilities or lack of experience and knowledge if they have been given supervision or instruction concerning the use of the refrigerator in a safe way and understand the hazards involved.
- Children shall not play with the refrigerator. Always keep and use the refrigerator out of the reach of children.
- Cleaning and user maintenance shall not be made by children without supervision.

- Do not store explosive substances such as aerosol cans with a flammable propellant in this refrigerator.
- Never expose the refrigerator to rain.
- The refrigerator is suitable for camping use.
- Do not put a water-filled container. Water if spilled will degrade the insulation of electric components and may lead to a fire from electric leak.
- If the cable is damaged, it must be replaced to prevent the possibility of electric shock. It must be replaced with a new cord (ENGEL genuine products).
- Do not touch the inside and other metal parts of the cabinet with wet hands, as this may cause frostbit.
- Do not contact metal part with positive terminal of battery.
- Cyclopentane is used as in the insulation. The gases in insulation material require a special disposal procedure with the applicable disposal regulations.
- Never disassemble the refrigerator by yourself. Inadequate repairs may lead to considerable hazards.
- To avoid burnout of wiring from battery to the refrigerator when a short circuit, install 10A fuse in the wiring circuit, nearby the battery.
- Use the DC cord originally accompanying the refrigerator when operating it on DC. Be sure to fully insert the cigarette lighter plug into the socket. Failing to do so may lead to distortion of the socket and/or a fire due to overheat from loose connection.

- When replacing a fuse equipped inside the cigarette lighter socket, always use the Engel-exclusive fuse for replacement. Never use a wire or a lead instead. Doing so may lead to a fire from overheat.
- The fuse equipped inside the cigarette lighter plug has a direction indicated by the arrow printed on it. Make sure the arrow points to the right direction when replacing the fuse. Failing to do so would not let the fuse to blow when overheat, resulting in deformation of the plug and/or a fire.
- When the cigarette lighter plug comes in contact with water or salty substance, be sure to thoroughly wipe it off. Take extra caution when wiping off the head terminal of the plug. Water and salty substance, if remained on the tip of the cigarette lighter plug, will result in rust, causing poor conductivity and abnormal overheat and possibly lead to deformation of the plug and/or a fire.
- Do not touch the metal tip of the cigarette lighter plug. The whole body of the cigarette lighter plug becomes hot during operation even if the plug is securely inserted into the socket. The metal tip in particular will become hot enough to burn your finger.
- This refrigerator runs on both AC i.e. from wall outlet and DC such as battery. Do not attempt to run it on any voltage above the specified voltage, nor use it with any power source not specified here. Failing to comply will result in product failure or lead to a fire.
- When operating on AC, do not plug in to an extension cable or put too much plugs into one socket. Failure to comply will result in electric shock or a fire.
- When operating on AC, be sure to plug in securely.

Poor connection will result in electric shock or a fire.

- Clean the AC cord plug to remove dust from the terminals and their base. Dust on the plug will lead to a fire or electric shock from degraded insulation.
- Do not attempt to hang on the refrigerator door. Do not sit on the refrigerator while the door is open. Doing so may lead to injuries due to tumbled refrigerator or the fingers being caught in the door.
- Do not put heavy objects on the refrigerator. Doing so may lead to injury from falling objects when the door opens.
- Be sure that no part of the refrigerator body is pushing its power cable to bend it hard. The cable, when bent hard, may get damaged and lead to overheat and a fire.
- Avoid using flammable sprays near the refrigerator. The electric contacts may catch a fire.
- When using the refrigerator in a trunk of the car, keep adequate ventilation. Failing to do so may overheat and damage the refrigerator and possibly lead to a fire.
- Do not store objects that require precise temperature control such as medicine and scientific specimens. This refrigerator is not suited to store such types of objects.
- When there is a leak of utility gas around you, do not touch the refrigerator or its cable plug. Open the windows and maintain good ventilation. Failing to do so may lead to a fire and/or a burn from explosion.
- When operating on a floor, securely fix the refrigerator so that it would not fall and cause injuries when

encountering vibration such as earth quake.

- While the refrigerator is in operation, do not use a quick charger to charge the battery that is supplying power to the refrigerator. The high voltages generated from the charger may damage the refrigerator and lead to a fire.
- Do not damage or modify or bend hard or pull or twist or bundle the power cable. Do not have the power cable caught under or pinched with heavy objects. Doing so may damage the cable and possibly lead to a fire or electric shock.
- Do not use the refrigerator if its power cable is damaged or the catch of its plug is loose. Failing to comply may lead to an electric shock or short or fire.
- Do not use the refrigerator near a heated object or gas equipment. Doing so not only reduces cooling performance but would cause a fire when leakage of the utility gas.

 **CAUTION**

- Disconnect the refrigerator from the AC before cleaning and servicing it as well as after each use.
- Pay due attention to the polarity of the cigarette lighter plug; the center terminal must be connected to the positive line while the side contacts to the negative or earth.
- Be careful not to drop the refrigerator when carrying it. The refrigerator will be damaged if dropped and may also lead to injuries of yourself.
- Do not put fingers between the lid and body of the refrigerator. Doing so may lead to injuries when the

door closes.

- Do not put living things such as pets in the refrigerator.
- Do not attempt to open or close the refrigerator door while driving a car. It may lead to an accident due to distracted driving.
- This refrigerator is suitable for cooling food. If you wish to cool medicines, check if the cooling capacity of the refrigerator is enough.
- Never use a battery charger or transformer or rectifier or battery eliminator or AC/DC converter to power the refrigerator. Doing so may damage the refrigerator.
- Never connect the refrigerator directly to an engine generator set regardless of whether its output is AC or DC. Doing so will lead to poor cooling and may also damage the refrigerator due to the high voltages and surge pulse from the generator set. Utilize an automatic voltage regulator for the refrigerator. Contact your ENGEL dealer if there is any question regarding the use of engine generator set to power the refrigerator..
- The pair of handles accompanying the refrigerator shall be securely fixed to the refrigerator. Poor installation may lead unexpectedly dropping the refrigerator during transportation, which may result in damage to or failure of the refrigerator and possible cause of injuries.
- Do not put a bagged cold pack whose inner material is leaking. Some of off-the-shelf bagged ice packs contain a type of chemical that corrodes the metal parts of the refrigerator. If such chemical is spilled in the refrigerator interior, wipe it off with a wet, soft cloth and wipe off again with a dry cloth.



- It is recommended to turn off the refrigerator when the vehicle engine is shut off so as to keep the battery from running out.
- Take extra caution when transporting the refrigerator.
- If you wish to install and continuously use the refrigerator in a vehicle for commercial purposes, permanent vehicle installation and wiring is recommended as it would keep the cigarette lighter plug from being overheated and deformed. Refer to 6.2.2 Onboard direct wiring with optional kit. Also consult the Engel dealer nearest to you as needed.

**ⓘ NOTICE**

- Check if the voltage noted on the type plate on the refrigerator matches the one applied by an external power source.
- If the voltage at the DC input terminals of the refrigerator falls below 10.7 V, cooling performance will immediately decrease. Always keep the battery in good condition to ensure it is fully charged.
- Do not pull the wire of the cigarette lighter plug to when removing it from the socket.
- If used on board a vehicle, fix the refrigerator firmly to the interior of the vehicle. Failing to do so may lead to injuries from a falling or moving fridge during abrupt acceleration and breaking.
- Never use this refrigerator inside a refrigerated compartment of a refrigeration truck, where condensation easily occurs and water would drip onto the refrigerator and damage it.

- Do not put glass bottles in the refrigerator. That would result in breakage of bottles due to external shock or vibration.
- Do not set the temperature setting knob at “5” except when storing frozen products such as frozen food, ice cream and ice. Doing so may result not only in beverages being undrinkable but explosion of cans and possible injuries.
- Do not use a knife, a driver or any sharp object to remove frost from the refrigerator.
- Do not pour water in the refrigerator. Doing so will result in failure from water ingress into the insulation material or mechanical and electrical components. If water collects in the cabinet, wipe it off with a soft cloth.
- The refrigerator needs an adequate ventilation for optimized cooling performance. Insufficient space between the refrigerator and adjacent walls may reduce the cooling performance.
- To keep the battery from running out, unplug the cigarette lighter socket of the vehicle when the refrigerator is not in use.
- Food shall be kept in its original package or put in other suitable container when stored in the refrigerator.
- Overstuffing the refrigerator will result in insufficient cooling from poor circulation of cool air and may spoil the stored foods. Keep some spaces between the foods.
- Hot or warm food such as boiled product shall be stored after it gets cool enough.
- It is recommended to pack watery food or products with

excessive fragrance when putting in the refrigerator.

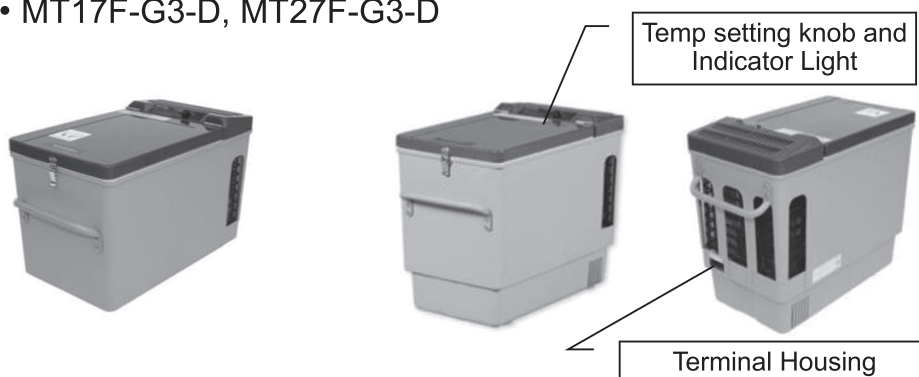
- Pre-cool the food and drinks before putting into the refrigerator. This refrigerator is not capable of cooling food and drink in a short time. It is also recommended to pre-cool inside the refrigerator cabinet before putting in any food.
- When the refrigerator is in operation, do not touch food or its containers, especially those made of metal, stored there with a wet hand. Doing so may lead to frostbite or other injury.

### **3. Intended use**

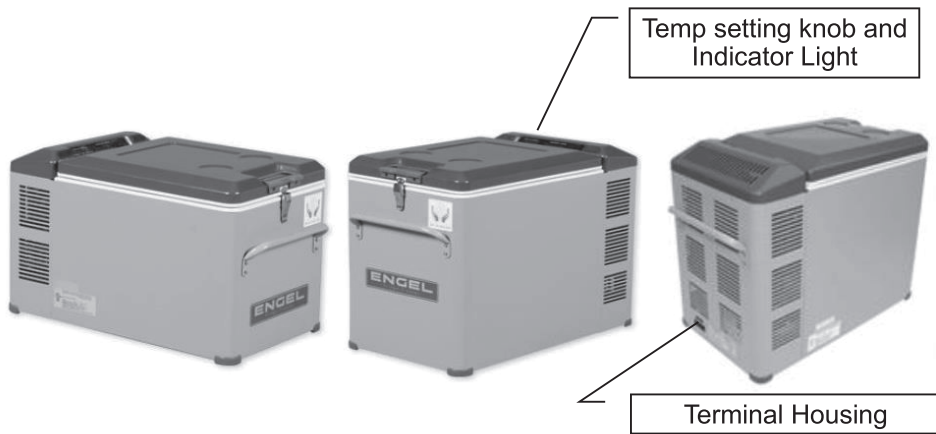
- The refrigerator is suitable for use in cars, boats, caravans or RVs and is designed to operate an angle of less than 30° off level.

### **4. Controller and display**

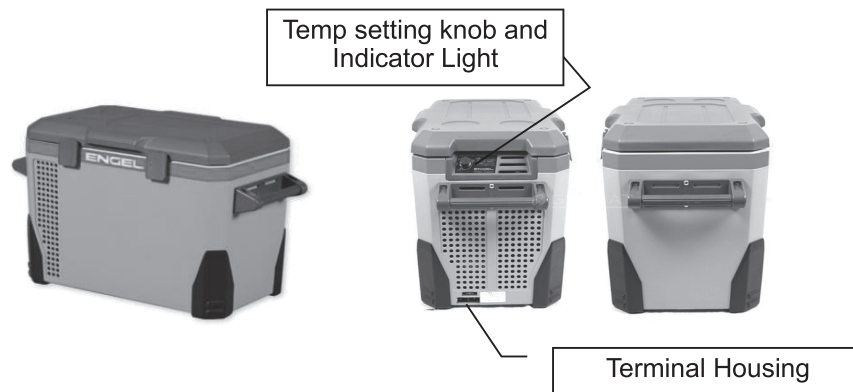
- MT17F-G3-D, MT27F-G3-D



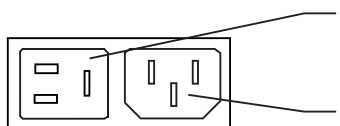
- MT35F-G3, MT45F-G3 (Gray Body)
- MT35F-G3-DM, MT45F-G3-DM (Gray Body with digital thermometer)
- MT35F-G3-S, MT45F-G3-S (Silver Body)



- MR040F-G3



• **Terminal Housing**

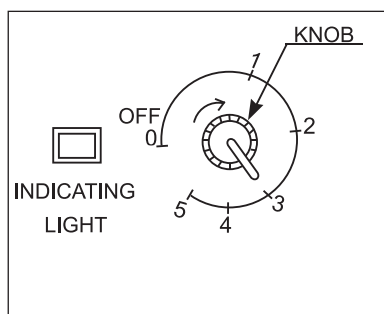


12V or 24V DC: Batteries

220V-240V AC: Mains

• **Temperature setting**

Turn the temperature setting knob to change the air temperature inside the refrigerator.



Temp setting position	Inside temperature *
0	OFF (Stop)
1	Approx. 5°C
2 - 4	Approx. 0°C - -12°C
5	Approx. -15°C

\* at an ambient temperature of 30°C with the refrigerator door closed

**5. Installation and Ventilation**

The refrigerator shall be used in a dry area where there is no chance of being exposed to water splash or other types of liquids or direct sunlight or heat conducted from hot pipes, warm air outlets, cookers, etc.

The refrigerator should be positioned and secured on a solid surface in the vehicle.

Keep the refrigerator away from direct sunlight or a gas stove or heater or heat-generating refrigerator.

Avoid installing your refrigerator close to hot water lines or warm air ducts.

Adequate ventilation and suitable distance from each wall

(at least 150 mm) will enable optimized cooling performance and minimized power consumption.

## **6. Operation**

Connect only to either of the following power sources:

- 220–240V AC from wall outlet (the mains)
- 12V or 24V DC battery.

AC and DC voltages may be connected simultaneously, when AC will be automatically selected if both voltages are applied.

**⚠ NOTICE:** Before starting to use your new refrigerator, its interior as well as exterior shall be thoroughly cleaned with a wet cloth to avoid hygienic issue.

### **6.1. Connection to 220V-240V AC**

This refrigerator can be connected to a standard domestic power source by using the three-core lead accompanying the refrigerator.

Insert the plug into the input terminal housing on the refrigerator.

Next, set the temperature setting knob to "0" (OFF). Then, set it anywhere between 1 and 5 and the green LED will go on. Turn the temperature setting knob to a required setting.

### **6.2 Connection to 12V or 24V DC battery**

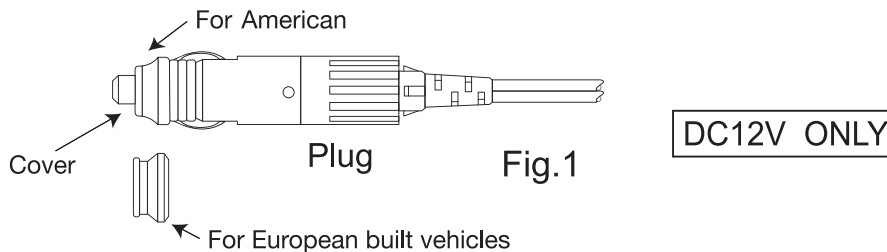
Make sure the battery voltage matches with the voltage stated on the refrigerator label. If the battery voltage is too high it will damage the refrigerator.

### 6.2.1 Connection to 12V DC cigarette lighter socket

Insert the square molded DC plug into the terminal housing on the refrigerator. The other end of the cable has a cigarette lighter plug.

Ensure that the cigarette lighter socket is clean and free from dust, corrosion or other foreign objects.

To change the plug head type, refer to Fig 1 below.



Insert the plug securely into the cigarette lighter socket to prevent it from coming loose. Loose connection may result in overheating which will damage the cigarette lighter socket.

First, set the temperature setting knob to "0" (OFF). Then, set it anywhere between 1 and 5 and the green LED will go on. Turn the temperature setting knob a required setting.

To stop the refrigerator, remove the cigarette lighter plug from the socket.

**⚠ CAUTION:** The center terminal of the plug must be connected to the positive line while the side contacts to the negative or earth. If reversely connected, the fuse in the plug will blow and the refrigerator will become inoperable until the fuse is replaced.

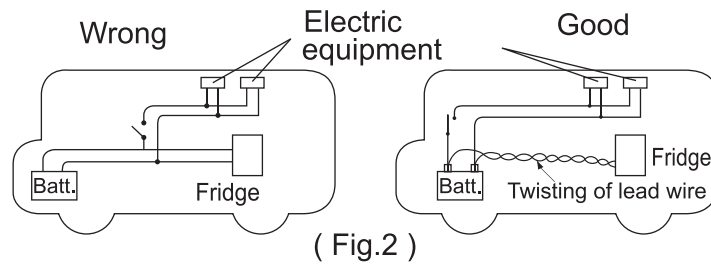
## 6.2.2 Onboard direct wiring with optional kit

### 1) Twisting lead wire

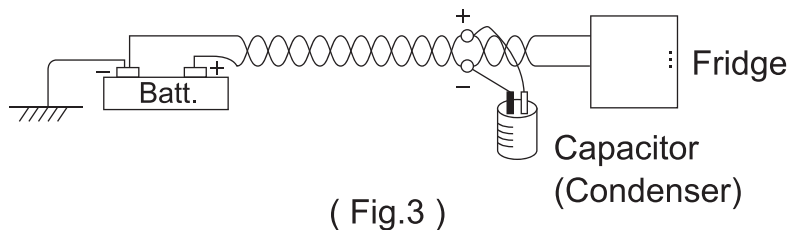
To further reduce the radio interference during DC operation, twist the negative and positive cables (use separate cables) together into a spiral form, between the battery and the DC outlet socket.

### 2) Connecting refrigerator directly to battery

Any switches and lead wires for other electrical equipment should not be shared with the wiring between the refrigerator and the battery. (Other equipment can generate high voltage pulses which may cause transistor damage to the refrigerator power supply. (See Fig 2)



### 3) To prevent radio noise and avoid absorbing high surge frequency, insert a capacitor of $10000\mu\text{-F}$ as shown in fig 3 below.





- 4) Selecting the correct gauge for wiring is important to avoid voltage drop. Follow the chart below when wiring the refrigerator to the battery.

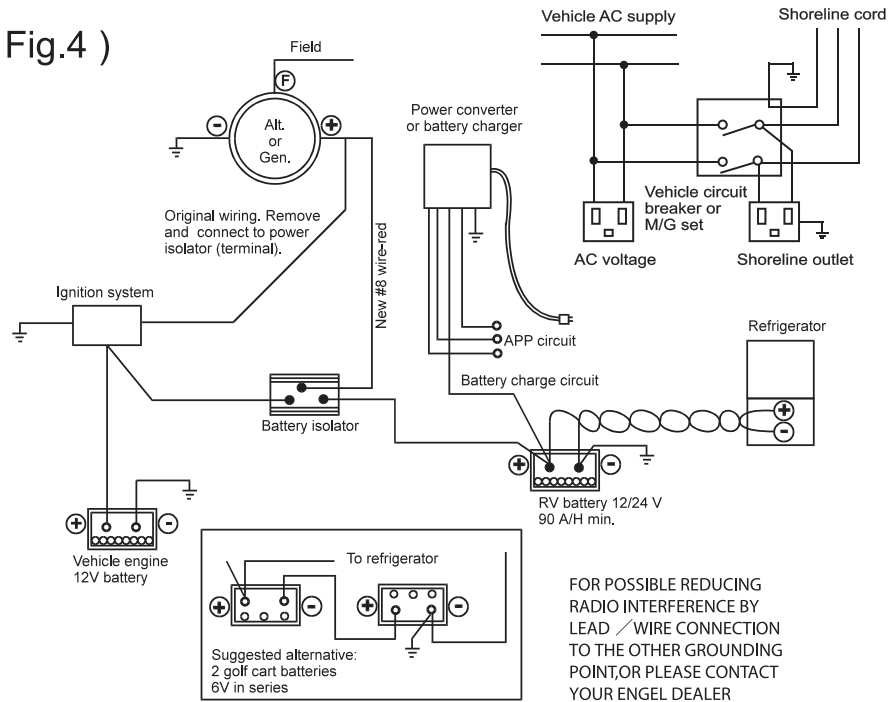
Distance between device and battery	Wire Gauge	
	DC 12 Volt use	DC 24 Volt use
Less than 6m. (19ft.)	SWG#16 (AWG#14) /2.1mm <sup>2</sup>	SWG#18 (AWG#16) /1.25mm <sup>2</sup>
From 6m (19ft.) to 10m (32ft.)	SWG#14 (AWG#12) /3.3mm <sup>2</sup>	SWG#16 (AWG#14) /2.1mm <sup>2</sup>
More than 10m (32ft.) (Not recommended, too long)	SWG#12 (AWG#10) /5.3mm <sup>2</sup>	SWG#14 (AWG#12) /3.3mm <sup>2</sup>

- 5) To avoid burn of wires between the battery and the refrigerator in the event of a short circuit, install a 10A fuse in the wiring circuit nearer to the battery.

### 6.2.3 Wiring diagram of dual battery hookup

The wiring diagram shown below is recommended for dual battery hookup. (See Fig 4)

( Fig.4 )



**⚠ CAUTION:** To avoid damage to the refrigerator in the event of reverse polarity or short circuit, install a 15A fuse (12V DC) or a 10A fuse (24V DC) in the wiring circuit nearer to the battery.

## **7 Maintenance of refrigerator**

### **7.1 Cleaning interior and door**

Always disconnect the refrigerator from the power source before you clean or service it.

- Clean the interior with a cloth moistened with warm water and wipe again with a dry cloth.
- Clean the door of the refrigerator with a wet cloth.
- Clean the interior condenser to remove dirt (dust etc.) at regular intervals.

**ⓘ NOTICE:** Never use a brush, powder soap, cleanser, acid, benzene, gasoline, or mineral thinners to clean the refrigerator, as these tend to leave scratches on the plastic coating and painting.

### **7.2 Defrosting**

Due to the humidity within the cabinet, frost will form on the evaporator surface after it has been used for a while.

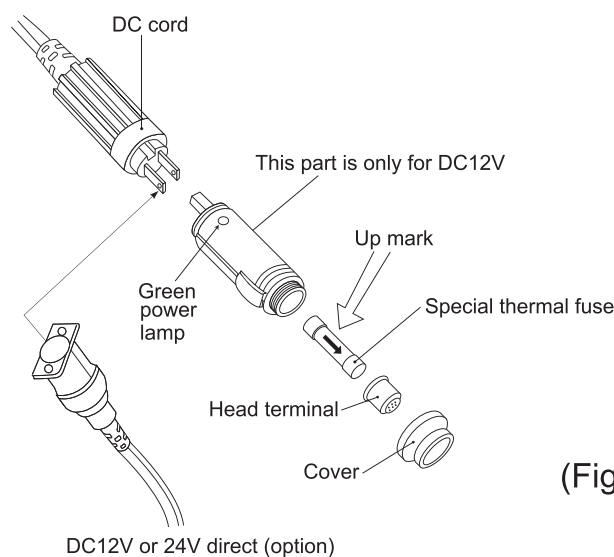
Frost with as thick as 6mm or more (1/4in) will reduce cooling efficiency. To avoid this, the evaporator needs to be defrosted regularly.

To defrost, turn off and unplug the refrigerator to allow for complete removal of frost from the evaporator.

### 7.3 Caution about fuse and replacement

The cigarette lighter plug of the DC cord has a special thermal fuse inside which cuts off current during abnormal situations, e.g. overheated plug.


- 1) Remove the cover on the tip of the DC cord plug by turning it counterclockwise.
- 2) When removing the cover, also remove the head terminal and the fuse.
- 3) Pull out the fuse from the head terminal.
- 4) Replaced the fuse with a new one after making sure that its polarity direction is correct (fig 5). Always use the special thermal fuse supplied through Engel dealer. The arrow printed on the fuse shall point to the head terminal as shown in figure 5 below.



(Fig.5)

- 5) Re-assemble the DC cord plug in a reverse order of disassembly and tighten the cover firmly.
- 6) Check whether the refrigerator runs normally.

If you encounter any further trouble, please contact an authorized ENGEL dealer near you.

 **CAUTION:** Do not use conventional glass tube fuses. Use only those designed exclusively for ENGEL refrigerator and distributed through its dealers.

## **8. Trouble shooting**

Fault	Possible cause	Action
Compressor not working	No power supplied  Battery in poor condition. Faulty electronic unit.  Electronic unit failure	Check if power is supplied to electronic unit  Check fuse.  Check polarity of connectors and cables.
Interior not cold	Ambient temperature too high.  Insufficient ventilation  Frost on evaporator  Condenser clogged	Keep refrigerator sufficiently ventilated.    Defrost evaporator. (see 7.2 Defrosting)  Clean condenser.

If the problem still persists after going through the chart above, consult an ENGEL service agent or dealer near you..

Never disassemble the refrigerator by yourself. Inadequate repairs can lead to considerable hazards.

## **9. Disposal**

### **WARNING**

- To prevent the risk of child entrapment inside the refrigerator, do the following before discarding it:
  - Remove the door from the refrigerator.
- This refrigerator is marked with the symbol shown below, meaning the refrigerator should not be mixed with household waste when being disposed of.



If you wish to dispose of this refrigerator, contact your local authorities and ask for the correct method of disposal, or specialist dealer for details about how to do this in accordance with the applicable disposal regulations.

Cyclopentane is used in the insulation, which requires a special disposal procedure. Contact your local authorities to find the environmentally safe disposal of the refrigerator.

## **10. Warranty**

The statutory warranty period applies.

If the refrigerator is found to be defective, contact either of the agents whose contact informant is found on page 28 of this manual or an ENGEL dealer near your location.

For repair and warranty processing, have the following documents accompany the refrigerator.

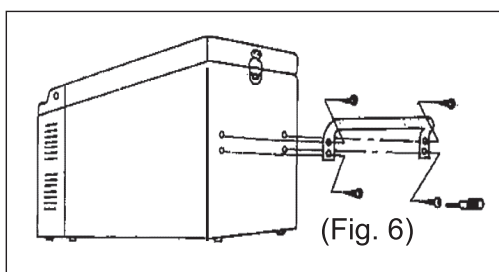
- A copy of the receipt with purchasing date
- Reason for the claim and/or description of the failure

## **11. Before initial use**

### **11.1 Installation of handles**

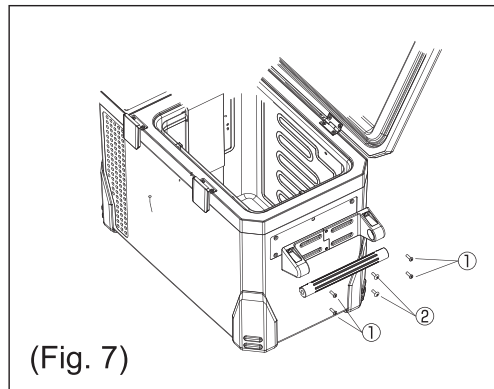
**Install a pair of handles found in the interior according to the following.**

- MT series



Handles can be screwed onto the sides of the refrigerator. (Fig. 6)

- MR040F-G3



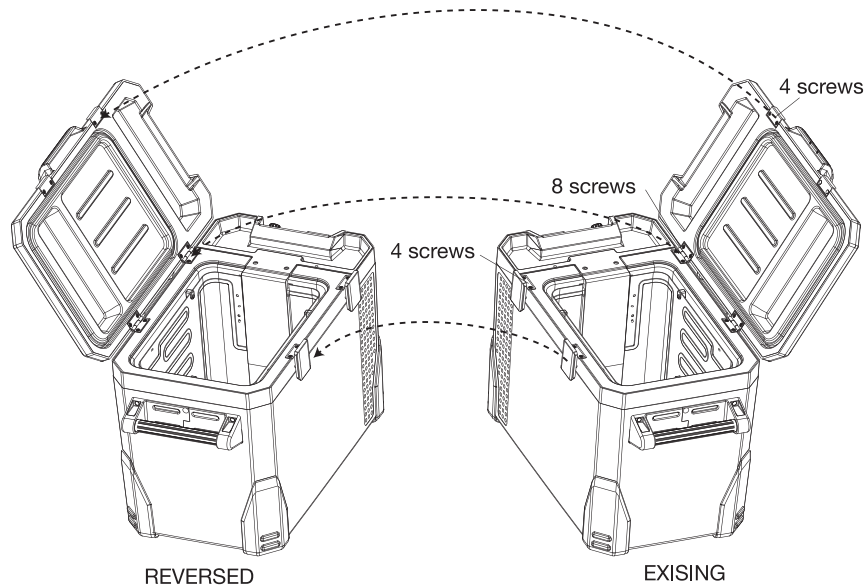
Handles can be screwed onto the sides of the refrigerator. (Fig. 7)

- ① Pan head screws, 8 pcs
- ② Truss head screws, 4 pcs

## 11.2 Reversing door-swing direction (MR040F-G3)

Follow the process below to change the door-swing direction.





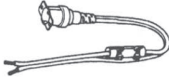
- 1) Remove the 16 screws fixing the hinges and the latches.  
(See Fig 8)
- 2) Put them on the other side including the latch plates and screw them again with the door and the cabinet.



( Fig 8 )






## 12. Power cord list

<b>A</b>	<b>AC CORD</b>	MT17F-G3-D MT27F-G3-D MR040F-G3	
<b>B</b>	<b>AC CORD</b>	MT35F SERIES MT45F SERIES	
<b>C</b>	<b>DC CORD</b>	ALL MODEL	
<b>D</b>	<b>DC CORD</b>	BATTERY CORD (OPTION)	  <p>PART OF DC CORD</p> <p>DC12V or DC24V DIRECT</p>

### **13. Technical data**

Model	<b>MT17F-G3-D</b>	<b>MT27F-G3-D</b>
Input voltage:	12/24V $\equiv$ and 220-240V $\sim$ 50/60Hz	
Rated current:	12V $\equiv$ : 2.5A 24V $\equiv$ : 1.2A 220-240V $\sim$ : 0.37A	
Cooling capacity:	+8°C to -18°C	+8°C to -16°C
Category:	1	
Energy efficiency class:	A+	
Energy consumption:	106 kWh/annum	103 kWh/annum
Gross volume:	16L	23L
Storage volume:	15L	20L
Climate class:	T	
Ambient temp:	+ 16°C $\sim$ +43°C	
Sound level:	44dB (A)	
Dimensions W x D x H (mm)	307 X 549 X 364mm	307 X 549 X 465mm
Weight:	16kg	15kg

Model	<b>MT35F-G3 MT35F-G3-DM MT35F -G3-S</b>	<b>MT45F-G3 MT45F-G3-DM MT45F -G3-S</b>
Input voltage:	12/24V $\overline{\text{---}}$ and 220-240V $\sim$ 50/60Hz	
Rated current:	12V $\overline{\text{---}}$ : 2.5A 24V $\overline{\text{---}}$ : 1.2A 220-240V $\sim$ : 0.37A	
Cooling capacity:	+8°C to -18°C	
Category:	1	
Energy efficiency class:	A+	
Energy consumption:	105 kWh/annum	97 kWh/annum
Gross volume:	34L	45L
Storage volume:	32L	40L
Climate class:	T	
Ambient temp:	+ 16°C $\sim$ +43°C	
Sound level:	46dB (A)	47dB(A)
Dimensions W x D x H (mm)	364 X 647 X 407mm	364 X 647 X 497mm
Weight:	21kg	24kg

Models	<b>MR040F-G3</b>
Input voltage:	12/24V  and 220-240V~ 50/60Hz
Rated current:	12V  : 2.75A 24V  : 1.4A 220-240V~: 0.37A
Cooling capacity:	+8°C to -18°C
Category:	1
Energy efficiency class:	A+
Energy consumption:	104 kWh/annum
Gross volume:	41L
Storage volume:	38L
Climate class:	T
Ambient temp:	+ 16°C ~ +43°C
Sound level:	44dB (A)
Dimensions W x D x H (mm)	636 X 396 X 471mm
Weight:	22kg

### NOTICE

If the ambient temperature exceeds +32°C (+90 °F), the lowest temperature noted above cannot be attained.

Refrigerant R134a contained in the coolant.

### Tests / Certificates



## **14. Service agent**

<Austria>

HOECO Handels GmbH

Fischgasse44

A-2483 Ebreichsdorf, Austria

Tel: +43 02254 72031 0

[www.hoeco.at](http://www.hoeco.at)

<France>

OUTBACK IMPORT

Z.A Mthias Sud

26320 St Marcel-les-Valence, France

Tel: +33 0 4 7585 10 48

[www.outback-import.fr](http://www.outback-import.fr)

<United Kingdom>

Bainbridge International Ltd

Unit 8, Flanders Industrial Park, Hedge End

Southampton, Hampshire SO30 2FZ, United Kingdom

Tel: +44 01489 776000

[www.bainbridgeint.com](http://www.bainbridgeint.com)



**SAWAFUJI ELECTRIC CO., LTD.**

3, NITTAHAYAKAWA-CHO, OTA-CITY,  
GUNMA 370-0344, JAPAN

TEL: +81(0)276-56-7139

FAX: +81(0)276-56-6075

MR • MT Series 2015

# ENGEL

DAS HANDBUCH VON  
KÜHLSCHRANK-BESITZER

## **MT-Serie**

MT17F-G3-D


MT27F-G3-D

MT35F-G3, MT35F-G3-DM, MT35F-G3-S

MT45F-G3, MT45F-G3-DM, MT45F-G3-S

## **MR-Serie**

MR040F-G3

 **SAWAFUJI** SAWAFUJI ELECTRIC CO., LTD.

Vielen Dank, dass Sie sich für einen Kühlschrank von ENGEL entschieden haben. Lesen Sie bitte vor Inbetriebnahme dieses Handbuch sorgfältig durch. Bewahren Sie das Handbuch zum späteren Nachschlagen an einem sicheren Ort auf. Falls Sie das Gerät weiter verkaufen, müssen Sie dieses Handbuch beilegen.




## **Inhalt**

<b>1. Erklärung der Symbole</b> .....	2
<b>2. Sicherheitshinweise</b> .....	2
<b>3. Sicherheitshinweise</b> .....	10
<b>4. Regler und Anzeige</b> .....	11
<b>5. Installation und Belüftung</b> .....	13
<b>6. Betrieb</b> .....	13
6.1 Anschluss an Wechselspannung 220 V - 240 V...13	
6.2 Anschluss an eine Batterie mit Gleichspannung 12 V oder 24 V.....	14
6.2.1 Anschluss an der Zigarettenanzünderbuchse.....	14
6.2.2 Direkte Verkabelung mit dem optionalen Kit .....	15
6.2.3 Verkabelungsschema für den Anschluss an zwei Stromquellen.....	16
<b>7. Wartung des Kühlschranks</b> .....	18
7.1 Reinigung der Innenseite und der Tür.....	18
7.2 Defrosten.....	18
7.3 Vorsichtshinweise zur Sicherung und deren Austausch.....	19
<b>8. Fehlersuche</b> .....	20
<b>9. Entsorgung</b> .....	21
<b>10. Garantie</b> .....	21
<b>11. Vor der ersten Inbetriebnahme</b> .....	22
11.1 Anbringen der Griffe.....	22
11.2 Ändern der Türschwenkrichtung (MR040F-G3) .....	23
<b>12. Tabelle der Stromkabel</b> .....	24
<b>13. Technische Daten</b> .....	25
<b>14. Servicevertreter</b> .....	28



## 1. Erklärung der Symbole

In diesem HANDBUCH werden die folgenden Symbole verwendet.

 <b>WARNUNG</b>	Bei Nichtbeachtung dieser Anweisung können schwere oder sogar tödliche Verletzungen verursacht werden.
 <b>VORSICHT</b>	Bei Nichtbeachtung dieser Anweisung können Verletzungen verursacht werden.
 <b>HINWEIS</b>	Bei Nichtbeachtung dieser Anweisung können schwere Sachschäden verursacht werden, durch welche Funktionen des Produkts beeinträchtigt werden können.

## 2. Sicherheitshinweise

Lesen Sie bitte vor Inbetriebnahme des Kühlschranks dieses Handbuch sorgfältig durch. Diese Anleitungen sind für die Sicherheit und sollen einen unfallfreien Betrieb gewährleisten.



### **WARNUNG**

- Dieser Kühlschrank kann von Kindern über 8 Jahren und Personen mit verminderten körperlichen, sensorischen oder geistigen Fähigkeiten oder unerfahrenen Personen verwendet werden, falls diese überwacht und angewiesen worden sind, wie der Kühlschrank sicher verwendet werden kann und sich der möglichen Gefahren bewusst sind.
- Kinder dürfen nicht mit dem Kühlschrank spielen. Stellen Sie den Kühlschrank außerhalb der Reichweite von Kindern auf.
- Kinder dürfen den Kühlschrank nicht ohne Überwachung reinigen und instandhalten.

- Explosive Substanzen, wie Spraydosen mit entzündlichen Treibgasen dürfen nicht in diesem Kühlschranks gelagert werden.
- Der Kühlschrank darf keinem Regen ausgesetzt werden.
- Der Kühlschrank eignet sich für das Campieren.
- Stellen Sie keinen mit Wasser gefüllten Behälter auf den Kühlschrank. Falls Wasser verschüttet wird, kann die Isolation der elektrischen Komponenten beeinträchtigt werden, was zu einem Brandausbruch führen kann.
- Ein beschädigtes Kabel muss ausgetauscht werden, um die Gefahr eines elektrischen Schlags zu vermindern. Das Kabel muss gegen ein neues Kabel (Original ENGEL-Produkt) ausgetauscht werden.
- Berühren Sie nicht die Innenseite oder andere Metallteile des Gehäuses mit nassen Händen, weil sonst Erfrierungen auftreten können.
- Vermeiden Sie, dass Metallteile die positive Batterieklemme berühren können.
- Für die Isolation wird Cyclopentan verwendet. Für die Gase im Isolationsmaterial muss ein spezielles Entsorgungsverfahren entsprechend den geltenden Entsorgungsvorschriften angewendet werden.
- Der Kühlschrank darf niemals von Ihnen zerlegt werden. Durch fehlerhafte Reparaturen können beträchtliche Gefahren verursacht werden.
- Um zu vermeiden, dass bei einem Kurzschluss das Kabel zwischen dem Kühlschrank und der Batterie durchbrennt, muss in der Nähe der Batterie eine 10 A-Sicherung in den Schaltkreis eingebaut werden.

- Für den Betrieb mit Gleichstrom muss das mit dem Kühlschranks mitgelieferte Gleichstromkabel verwendet werden. Stecken Sie den Zigarettenanzünderstecker vollständig in die Buchse. Bei Missachtung kann die Buchse verformt werden und wegen Überhitzung einer lockeren Verbindung besteht die Gefahr eines Feuerausbruchs.
- Für den Austausch der Sicherung in der Zigarettenanzünderbuchse muss immer die spezielle Engel-Sicherung verwendet werden. Es darf niemals ein Draht oder ein Kabel verwendet werden. Durch Überhitzung besteht in diesem Fall die Gefahr eines Brandausbruchs.
- Die Sicherung im Zigarettenanzünderstecker besitzt einen Richtungspfeil. Kontrollieren Sie beim Austauschen der Sicherung, ob der Pfeil in die richtige Richtung zeigt. Bei Missachtung kann die Sicherung bei einer Überhitzung nicht ansprechen und es besteht die Gefahr einer Deformierung des Steckers bzw. eines Brandausbruchs.
- Falls der Zigarettenanzünderstecker mit Wasser oder einer Salzlösung in Berührung kommt, muss diese richtig abgewischt werden. Besonders die Kopfklemme des Steckers muss besonders vorsichtig abgewischt werden. Falls Wasser oder Salzlösung auf der Kopfklemme des Zigarettenanzündersteckers verbleiben, kann wegen Rostbildung ein schlechter Kontakt auftreten, der zu Überhitzung und Deformation bzw. einem Brandausbruch führen kann.
- Berühren Sie die Metallspitze des Zigarettenanzünders nicht. Der ganze Zigarettenanzünderstecker wird heiß während des Betriebs, auch wenn der Stecker richtig an der Steckbuchse angeschlossen ist. Besonders die Spitze kann sehr heiß werden, so dass Sie sich die Finger verbrennen können.
- Dieser Kühlschrank kann sowohl mit Wechselstrom, wie von einer Wandsteckdose, als auch mit Gleichstrom von einer Batterie

betrieben werden. Verwenden Sie keine höhere Spannung als angegeben und verwenden nur die hier spezifizierten Stromquellen. Bei Missachtung können Störungen bzw. ein Brandausbruch auftreten.

- Beim Betrieb mit Wechselstrom darf kein Verlängerungskabel verwendet werden und an einer Wandsteckdose dürfen nicht zu viele Stecker angeschlossen werden. Bei Missachtung kann ein elektrischer Schlag bzw. ein Brandausbruch auftreten.
- Beim Betrieb mit Wechselstrom muss der Stecker richtig angeschlossen werden. Ein fehlerhafter Anschluss kann ein elektrischer Schlag bzw. ein Brandausbruch verursachen.
- Reinigen Sie den Netzstecker von Staub, der sich auf den Klemmen angesammelt hat. Durch Staub auf dem Stecker kann wegen schlechter Isolation ein Brand oder ein elektrischer Schlag verursacht werden.
- Wenden Sie auf die Tür des Kühlschranks keine übermäßigen Kräfte an. Sitzen Sie bei geöffneter Tür nicht auf den Kühlschrank. Es könnten Verletzungen verursacht werden, wenn der Kühlschrank umfällt oder die Finger in der Tür eingeklemmt werden.
- Stellen Sie keine schweren Gegenstände auf den Kühlschrank. Beim Öffnen der Tür können Verletzungen durch herunterfallende Gegenstände verursacht werden.
- Kontrollieren Sie, ob das Kabel nicht durch den Kühlschrank eingeklemmt oder stark gebogen wird. Durch starkes Biegen des Kabels kann wegen Beschädigung eine Überhitzung oder ein Brandausbruch verursacht werden.
- Verwenden Sie in der Nähe des Kühlschranks keine entzündbaren Sprays. Durch die elektrischen Kontakte kann ein Brand ausgelöst werden.

- Bei Verwendung des Kühlschranks im Kofferraum muss für eine ausreichende Belüftung gesorgt werden. Bei Missachtung können Überhitzung und Beschädigungen bzw. ein Brandausbruch auftreten.
- Bewahren Sie keine Gegenstände, wie Medikamenten oder wissenschaftliche Proben, für welche eine exakte Temperaturregelung notwendig ist, im Kühlschrank auf. Der Kühlschrank ist zur Aufbewahrung solcher Gegenstände nicht geeignet.
- Beim Auftreten ein Gaslecks dürfen der Kühlschrank und der Kabelstecker nicht berührt werden. Öffnen Sie die Fenster, um eine gute Belüftung zu gewährleisten. Bei Missachtung besteht die Gefahr eines Brandausbruchs bzw. Verbrennungen im Fall einer Explosion.
- Bei der Aufstellung auf einem Boden muss der Kühlschrank gesichert werden, so dass er durch Vibrationen oder bei einem Erdbeben nicht umfallen und Verletzungen verursachen kann.
- Während des Kühlschrankbetriebs darf die Stromversorgungsbatterie nicht mit einem Schnellladegerät aufgeladen werden. Durch die Hochspannung des Schnellladegeräts kann der Kühlschrank beschädigt werden, was zu einem Brandausbruch führen kann.
- Das Netzkabel darf nicht beschädigt, modifiziert, stark gezogen, gebogen, verdreht oder gebündelt werden. Das Netzkabel darf nicht durch schwere Gegenstände eingeklemmt werden. Eine Kabelbeschädigung kann zu einem Brandausbruch oder einem elektrischen Schlag führen.
- Der Kühlschrank darf nicht mit beschädigtem Netzkabel oder lockerer Steckersicherung verwendet werden. Bei Missachtung kann ein elektrischer Schlag bzw. ein Brandausbruch auftreten.
- Der Kühlschrank darf nicht in der Nähe eines heißen Gegenstands

oder von mit Gas betriebenen Geräten verwendet werden. Dadurch wird nicht nur die Kühlleistung reduziert, sondern durch austretendes Gas kann auch ein Brand verursacht werden.

 **VORSICHT**

- Trennen Sie den Kühlschrank zum Reinigen, für den Unterhalt und bei Nichtverwendung vom Netz.
- Beachten Sie die Polarität des Zigarettenanzündersteckers; die Mittelklemme muss an der positiven Versorgung und die seitlichen Kontakte müssen an der negativen Versorgung oder der Masse angeschlossen sein.
- Beim Herumtragen darf der Kühlschrank nicht fallengelassen werden. Der Kühlschrank kann beschädigt werden und Sie können sich verletzen.
- Stecken Sie keine Finger zwischen den Deckel und das Kühlschrankgehäuse. Beim Schließen der Tür können Verletzungen verursacht werden.
- Sperren Sie keine Tiere in den Kühlschrank.
- Während der Fahrt darf die Tür des Kühlschranks nicht geöffnet oder geschlossen werden. Durch Ablenkung besteht die Gefahr eines Unfalls.
- Dieser Kühlschrank eignet sich zum Kühlen von Lebensmitteln. Für das Kühlen von Medikamenten muss geprüft werden, ob die Leistung des Kühlschranks ausreichend ist.
- Verwenden Sie niemals ein Batterieladegerät, ein Transformator, ein Gleichrichter, eine Batterieüberbrückung oder ein AC/DC-Wandler für den Betrieb des Kühlschranks. Der Kühlschrank kann dadurch beschädigt werden.
- Der Kühlschrank darf niemals direkt am Generator des Motors

angeschlossen werden, egal ob der Ausgang Wechsel- oder Gleichstrom ist. Durch Hochspannung und Stromstöße des Generators kann die Kühlleistung verringert und der Kühlschrank beschädigt werden. Verwenden Sie für den Kühlschrank einen automatischen Spannungsregler. Wenden Sie sich bei Fragen zur Verwendung des Motorgenerators für den Kühlschrankbetrieb an Ihren ENGEL-Händler.

- Die beiden mitgelieferten Griffe müssen richtig am Kühlschrank angebracht werden. Bei einer fehlerhaften Montage kann der Kühlschrank beim Transport herunterfallen und beschädigt werden, so dass Störungen und Verletzungen verursacht werden.
- Ein auslaufender Kühlbeutel darf nicht in den Kühlschrank gelegt werden. Gewisse in Handel erhältliche Kühlbeutel enthalten Chemikalien, die Korrosion der Metallteile des Kühlschranks verursachen können. Falls solche Chemikalien im Kühlschrank austreten, müssen sie mit einem feuchten weichen Tuch abgewischt und mit einem trockenen Tuch getrocknet werden.
- Es wird empfohlen den Kühlschrank auszuschalten, wenn der Motor abgestellt wird, um ein Entladen der Fahrzeugbatterie zu vermeiden.
- Beim Transport des Kühlschranks muss besondere Vorsicht angewendet werden.
- Für eine fixe Installation des Kühlschranks im Fahrzeug wird eine permanente Verkabelung empfohlen, um eine Überhitzung und Deformation des Zigarettenanzündersteckers zu vermeiden. Siehe 6.2.2 Direkte Verkabelung mit dem optionalen Kit. Sie können sich bei Bedarf auch an den nächsten Engel-Händler wenden.

 **HINWEIS**

- Kontrollieren Sie, ob die am Typenschild angegebene Spannung

der Spannung der externen Stromquelle entspricht.

- Falls die Spannung an den Gleichstromeingangsklemmen unter 10,7 V abfällt, vermindert sich die Kühlleistung sofort. Halten Sie die Batterie immer in gutem voll aufgeladenen Zustand.
- Ziehen Sie zum Herausziehen des Zigarettenanzündersteckers aus der Buchse nicht am Kabel.
- Bei Verwendung in einem Fahrzeug muss der Kühlschrank fest in der Innenausstattung des Fahrzeugs eingebaut werden. Bei Missachtung können beim Herunterfallen oder abrupten Bewegungen beim Beschleunigen oder bei einer Notbremsung Verletzungen verursacht werden.
- Verwenden Sie diesen Kühlschrank niemals im Kühlraum eines Lastwagens, bei der Kondensation entsteht Wasser, das auf den Kühlschrank tropfen kann.
- Legen Sie keine Glasflaschen in den Kühlschrank. Durch starke von außen einwirkende Stöße und Vibrationen können die Flaschen brechen.
- Stellen Sie den Temperatureinstellknopf nur bei Aufbewahrung von Tiefkühlprodukten, Eiscreme und Eis auf die Position "5". Getränke könnten sonst gefrieren und durch platzende Dosen können Verletzungen verursacht werden.
- Verwenden Sie zum Entfernen von Frost keine scharfen Gegenstände, wie Messer oder Schraubendreher.
- Gießen Sie kein Wasser in den Kühlschrank. Durch Wassereintritt in das Isolationsmaterial und in die mechanischen und elektrischen Komponenten können Störungen verursacht werden. Angesammeltes Wasser im Gehäuse muss mit einem weichen Tuch abgewischt werden.
- Zum optimalen Kühlen muss für eine ausreichende Belüftung des



Kühlschranks gesorgt werden. Durch zu geringe Abstände zwischen dem Kühlschrank und den Wänden kann die Kühlleistung beeinträchtigt werden.

- Um zu vermeiden, dass sich die Batterie entlädt, muss der Zigarettenanzünderstecker gelöst werden, wenn der Kühlschrank nicht verwendet wird.
- Für die Aufbewahrung müssen Lebensmittel in der Originalpackung oder in einem geeigneten Behälter in den Kühlschrank gelegt werden.
- Durch zu starkes Füllen des Kühlschranks mit Lebensmittel können diese wegen ungenügender Zirkulation der kalten Luft nicht ausreichend gekühlt werden und verderben. Zwischen den einzelnen Lebensmitteln muss ein freier Zwischenraum sein.
- Heiße oder warme Lebensmittel, wie gekochte Gerichte dürfen erst im abgekühlten Zustand in den Kühlschrank gelegt werden.
- Es wird empfohlen, wässrige und stark duftende Lebensmittel einzupacken, wenn sie in den Kühlschrank gelegt werden.
- Kühlen Sie Lebensmittel und Getränke vor, bevor Sie diese in den Kühlschrank legen. Ein rasches Abkühlen von Lebensmittel und Getränken ist mit diesem Kühlschrank nicht möglich. Es wird auch empfohlen den Kühlschrank vorzukühlen, bevor Sie Lebensmittel in den Kühlschrank legen.
- Im Betrieb dürfen Lebensmittel oder Behälter, besonders metallene, nicht mit nassen Händen berührt werden. Sonst können Frostbeulen oder andere Verletzungen verursacht werden.

### **3. Sicherheitshinweise**

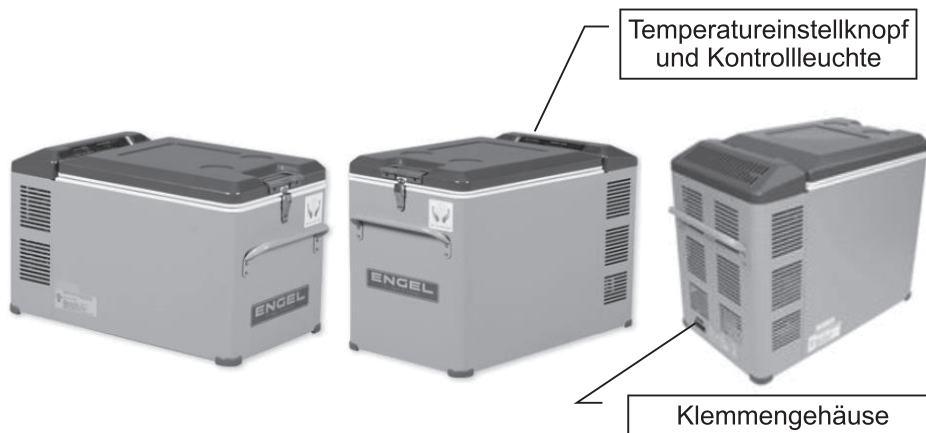
- Der Kühlschrank eignet sich für die Verwendung in Fahrzeugen, Booten, Wohnwagen oder Wohnmobilen in einem Winkel von bis zu 30°.

## 4. Regler und Anzeige

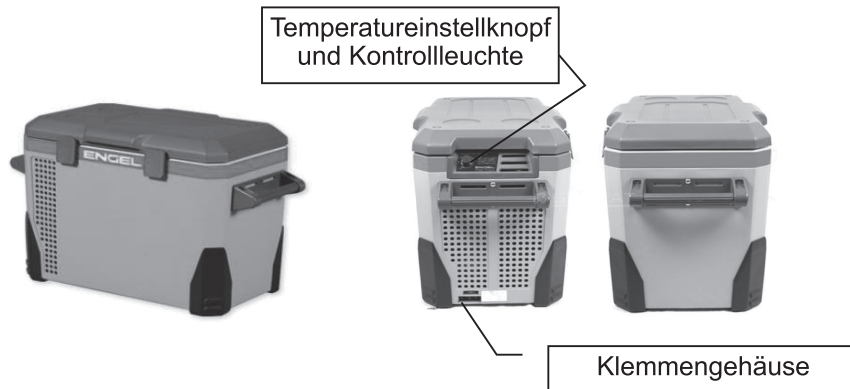
- MT17F-G3-D, MT27F-G3-D



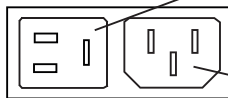
- MT35F-G3, MT45F-G3 (Gehäuse grau)
- MT35F-G3-DM, MT45F-G3-DM (Gehäuse grau mit Digitalthermometer)
- MT35F-G3-S, MT45F-G3-S (Gehäuse silber)



- MR040F-G3



- **Klemmgehäuse**

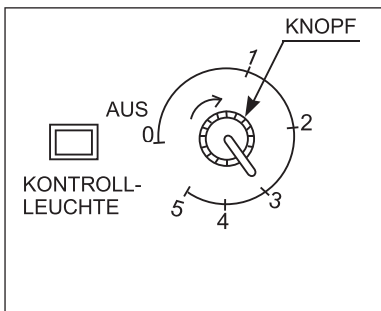


12 V oder 24 V Gleichspannung:  
Batterien

220 V - 240 V Wechselspannung: Netz

- **Temperatureinstellung**

Drehen Sie zum Einstellen der Kühlschrankschranktemperatur den Temperatureinstellknopf.



Temperatureinstellungsposition	Kühlschrankschranktemperatur *
0	AUS (Stopp)
1	ca. 5°C
2 - 4	ca. 0°C - -12°C
5	ca. -15°C

\* Bei einer Umgebungstemperatur von 30°C bei geschlossener Kühlschrankschranktür

## **5. Installation und Belüftung**

Der Kühlschrank muss an einem trockenen Ort aufgestellt werden, an dem er keinen Wasserspritzern oder anderen Flüssigkeiten, direkter Sonneneinstrahlung, Hitze von heißen Leitungen oder Kochern usw. ausgesetzt ist.

Der Kühlschrank muss im Fahrzeug auf eine feste Fläche gestellt und richtig gesichert werden.

Setzen Sie den Kühlschrank keiner direkten Sonneneinstrahlung aus und vermeiden Sie die Nähe eines Gasofens, einer Heizung oder eines Wärme erzeugenden Kühlschranks.

Stellen Sie den Kühlschrank nicht in der Nähe von Heißwasserleitungen oder Warmluftkanälen auf.


Durch eine ausreichende Belüftung und einen ausreichenden Abstand zu allen Wänden (mindestens 150 mm) wird eine optimale Kühlleistung und ein geringer Stromverbrauch erzielt.

## **6. Betrieb**

Nur an eine der folgenden Stromquellen anschließen:

- Wandsteckdose mit Netzspannung 220 V – 240 V (Netz)
- Batterie mit Gleichspannung 12 V oder 24 V

Wechsel- und Gleichstromquellen können gleichzeitig angeschlossen werden, falls beide Stromquellen angeschlossen sind, wird automatisch auf Wechselstrombetrieb umgeschaltet.

 **HINWEIS:** Vor Inbetriebnahme des Kühlschranks muss die Innen- und die Außenseite mit einem feuchten Tuch gereinigt werden.

### **6.1 Anschluss an Wechselspannung 220 V - 240 V**

Der Kühlschrank kann mit dem mitgelieferten dreipoligen Kabel an eine normale Stromquelle angeschlossen werden.

Schließen Sie den Stecker am Eingangsklemmengehäuse des Kühlschranks an.

Stellen Sie danach den Temperatureinstellknopf auf "0" (AUS). Stellen Sie danach den Knopf auf eine Position zwischen 1 und 5, so dass die grüne LED leuchtet. Stellen Sie mit den Temperatureinstellknopf auf die gewünschte Position.

## **6.2 Anschluss an eine Batterie mit Gleichspannung 12 V oder 24 V**

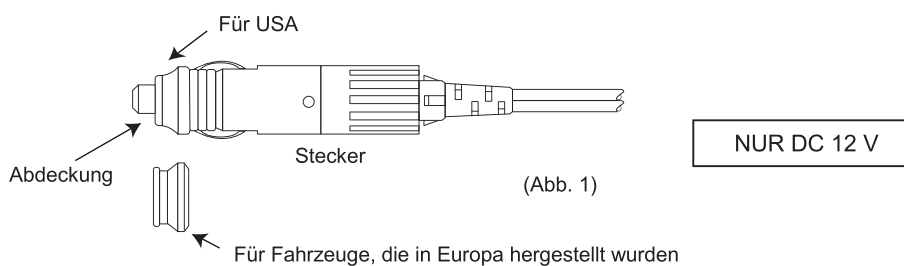
Kontrollieren Sie, ob die Batteriespannung der auf dem Kühlschrankschild angegebenen Spannung entspricht. Bei zu hoher Batteriespannung kann der Kühlschrank beschädigt werden.

### **6.2.1 Anschluss an der 12 V DC Zigarettenanzünderbuchse**

Schließen Sie den viereckigen DC-Stecker am Klemmengehäuse des Kühlschranks an. Das andere Ende des Kabels besitzt einen Zigarettenanzünderstecker.

Kontrollieren Sie, ob die Zigarettenanzünderbuchse sauber und frei von Staub, Korrosion und Fremdkörpern ist.

Für einen Wechsel des Steckerkopfs wird auf die nachstehende Abbildung 1 verwiesen.



Schließen Sie den Stecker an der Zigarettenanzünderbuchse an, so dass er sich nicht lockern kann. Eine lockere Verbindung kann Überhitzung verursachen und die Zigarettenanzünderbuchse kann beschädigt werden.

Stellen Sie zuerst den Temperatureinstellknopf auf "0" (AUS). Stellen Sie danach den Knopf auf eine Position zwischen 1 und 5, so dass die

grüne LED leuchtet. Stellen Sie den Temperatureinstellknopf auf eine gewünschte Position.

Ziehen Sie den Zigarettenanzünderstecker aus der Buchse, um den Kühlschrank auszuschalten.

**⚠ VORSICHT:** Die Mittelklemme des Steckers muss an der positiven Versorgung und die seitlichen Kontakte müssen an der negativen Versorgung angeschlossen sein. Bei verkehrtem Anschluss springt die Sicherung im Stecker an und der Kühlschrank kann erst wieder in Betrieb genommen werden, nachdem die Sicherung ausgewechselt wurde.

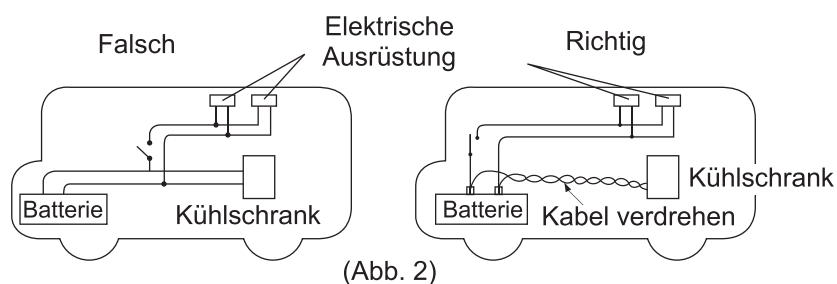
### 6.2.2 Direkte Verkabelung mit dem optionalen Kit

#### 1) Verdrehtes Kabel

Für eine weitere Verminderung der Rundfunkstörungen im Gleichstrombetrieb können das negative und das positive Kabel (separate Kabel) zwischen der Batterie und der Gleichstromausgangssteckbuchse verdreht werden.

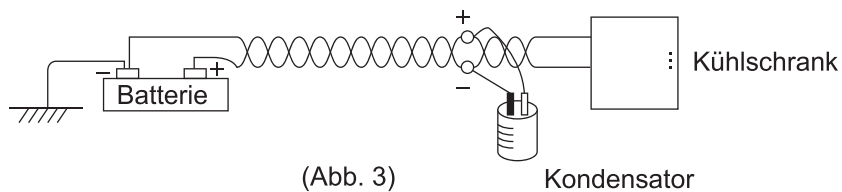
#### 2) Direkter Anschluss des Kühlschranks an der Batterie

Schalter und Kabel für andere elektrische Verbraucher dürfen nicht mit der Verkabelung zwischen dem Kühlschrank und der Batterie gemeinsam benutzt werden. (Andere elektrische Verbraucher können hohe Spannungsschübe erzeugen, durch welche der Transistor der Kühlschrankstromquelle beschädigt werden kann. (Siehe Abb. 2)



#### 3) Zur Vermeidung von Rundfunkstörungen und zur Vermeidung, dass

Hochfrequenzen absorbiert werden, schalten Sie einen Kondensator von 10000  $\mu\text{F}$  wie nachstehend in der Abbildung 3 gezeigt in den Schaltkreis.



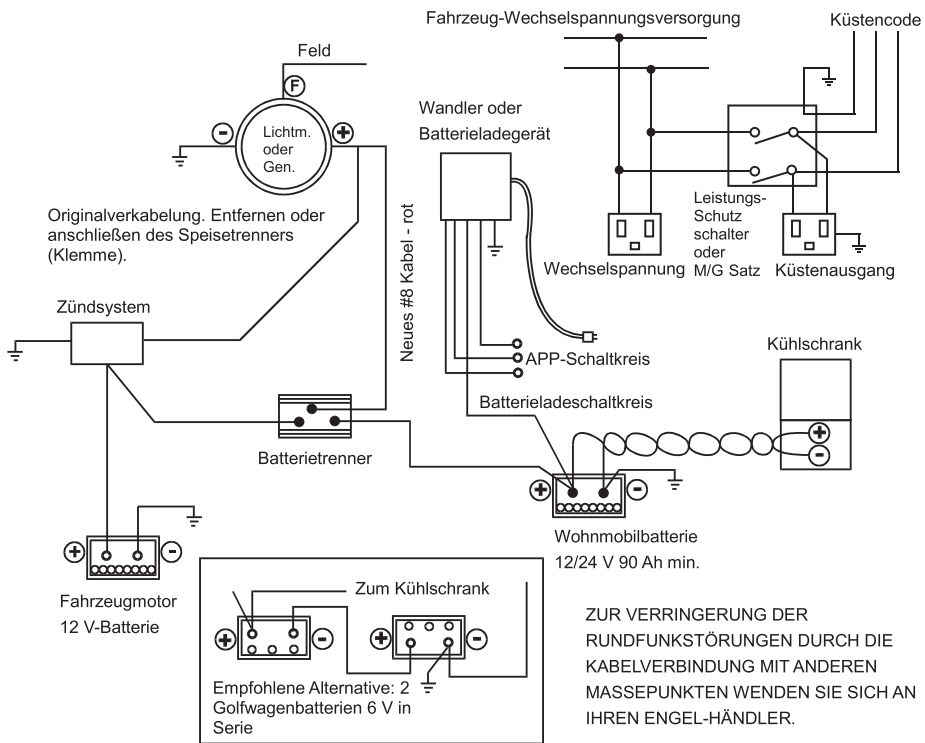
- 4) Die Auswahl des richtigen Kabelquerschnitts ist wichtig zur Vermeidung eines Spannungsabfalls. Beachten Sie für den Anschluss des Kühlschranks an der Batterie die nachstehende Tabelle.

Abstand zwischen Gerät und Batterie	Kabelquerschnitt	
	Verwendung von 12 V Gleichspannung	Verwendung von 24 V Gleichspannung
Weniger als 6 m (19 ft.)	SWG#16 (AWG#14) / 2,1 mm <sup>2</sup>	SWG#18 (AWG#16) / 1,25 mm <sup>2</sup>
Von 6 m (19 ft.) bis 10 m (32 ft.)	SWG#14 (AWG#12) / 3,3 mm <sup>2</sup>	SWG#16 (AWG#14) / 2,1 mm <sup>2</sup>
Mehr als 10 m (32 ft.) (Nicht empfehlenswert, zu lang)	SWG#12 (AWG#10) / 5,3mm <sup>2</sup>	SWG#14 (AWG#12) / 3,3 mm <sup>2</sup>

- 5) Um zu vermeiden, dass bei einem Kurzschluss das Kabel zwischen dem Kühlschrank und der Batterie durchbrennt, muss in der Nähe der Batterie eine 10 A-Sicherung in den Schaltkreis eingebaut werden.


### 6.2.3 Verkabelungsschema für den Anschluss an zwei Stromquellen

Für den Anschluss an zwei Stromquellen wird das nachstehende Schaltschema empfohlen. (Siehe Abb. 4)



(Abb. 4)




 **VORSICHT:** Zur Vermeidung einer Beschädigung bei umgekehrter Polarität oder einem Kurzschluss muss eine 15 A-Sicherung (12 V DC) bzw. eine 10 A-Sicherung (24 V DC) in der Nähe der Batterie in den Schaltkreis eingebaut werden.

## **7. Wartung des Kühlschranks**

### **7.1 Reinigung der Innenseite und der Tür**

Zum Reinigen und für den Unterhalt muss der Kühlschrank immer von der Stromversorgung getrennt werden.

- Reinigen Sie die Innenseite mit einem mit warmem Wasser befeuchteten Tuch und reiben Sie mit einem trockenen Tuch nach.
- Reinigen Sie die Tür des Kühlschranks mit einem angefeuchteten Tuch.
- Reinigen Sie den inneren Kondensator von Verschmutzung (Staub usw.) in regelmäßigen Abständen.

 **HINWEIS:** Verwenden Sie zum Reinigen des Kühlschranks keine Bürste, Seifenpulver, Reinigungsmittel, Säure, Benzin, Kraftstoff oder Farbverdünner, weil die Kunststoffteile und die Lackierung zerkratzt werden können.

### **7.2 Defrosten**

Während des Kühlschrankbetriebs scheidet sich Luftfeuchtigkeit als Frost an der Verdampferoberfläche ab.

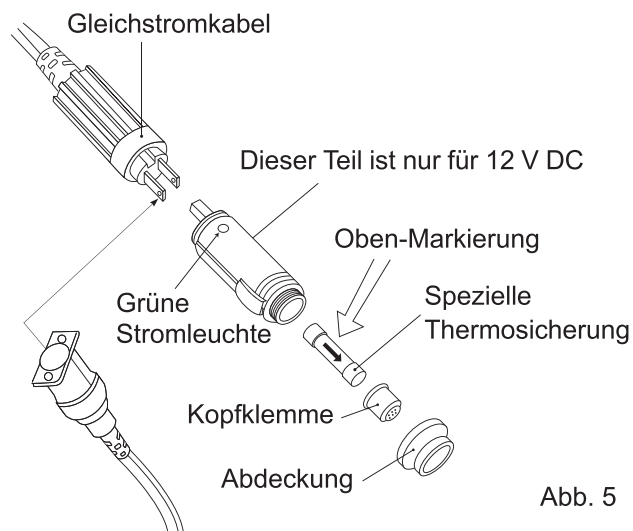
Eine dicke Frostschrift von 6 mm (1/4") oder mehr kann die Kühlleistung beeinträchtigen. Um dies zu vermeiden, muss der Verdampfer in regelmäßigen Abständen entfrosten werden.

Schalten Sie zum Entfrosten den Kühlschrank aus, um den Verdampfer vollständig von Frost zu befreien.

### 7.3 Vorsichtshinweise zur Sicherung und deren Austausch

Der Zigarettenanzünderstecker des Gleichstromkabels besitzt eine spezielle thermische Sicherung, mit welcher die Stromversorgung in abnormalen Situationen wie überhitzter Stecker unterbrochen wird.

- 1) Entfernen Sie die Abdeckung an der Spitze des Gleichstromkabelsteckers durch Drehen nach links.
- 2) Beim Entfernen der Abdeckung muss auch die Kopfklemme und die Sicherung entfernt werden.
- 3) Ziehen Sie die Sicherung aus der Kopfklemme heraus.
- 4) Tauschen Sie die Sicherung aus und beachten Sie beim Einsetzen die Polarität (Abb. 5). Verwenden Sie immer eine spezielle thermische Sicherung von einem Engel-Händler. Der aufgedruckte Pfeil der Sicherung weist auf die Kopfklemme, wie in der nachstehenden Abbildung 5 gezeigt.




DC 12 V oder 24 V DIREKT (OPTION)

- 5) Bauen Sie den Gleichstromkabelstecker in der umgekehrten Reihenfolge wieder zusammen und ziehen Sie die Abdeckung richtig fest.

6) Kontrollieren Sie, ob der Kühlschrank normal in Betrieb genommen werden kann.

Wenden Sie sich beim Auftreten von Schwierigkeiten an den nächsten autorisierten ENGEL-Händler.

 **VORSICHT:** Verwenden Sie keine konventionellen Glasröhrensicherungen. Verwenden Sie für den Kühlschrank ausschließlich spezielle Sicherungen, die von ENGEL-Händlern erhältlich sind.

## **8. Fehlersuche**

Störung	Mögliche Ursache	Abhilfe
Kompressor arbeitet nicht	Keine Stromversorgung  Schlechter Batteriezustand. Fehlerhafte Elektronikeinheit. Störung der Elektronikeinheit	Kontrollieren, ob die Elektronikeinheit mit Strom versorgt wird  Die Sicherung kontrollieren.  Die Polarität der Stecker und Kabel überprüfen.
Der Innenraum wird nicht kalt	Die Umgebungstemperatur ist zu hoch.  Ungenügende Belüftung  Frost am Verdampfer  Verstopfter Kondensator	Sorgen Sie für eine ausreichende Belüftung des Kühlschranks.   Den Verdampfer entfrosten. (Siehe 7.2 Entfrosten)  Den Kondensator reinigen.

Falls das Problem mit den obigen Anweisungen in der Tabelle nicht behoben werden kann, wenden Sie sich an den nächsten ENGEL-Händler.

Der Kühlschrank darf niemals von Ihnen zerlegt werden. Durch fehlerhafte Reparaturen können beträchtliche Gefahren verursacht werden.

## **9. Entsorgung**



### **WARNUNG**

• Um zu vermeiden, dass ein Kind im Kühlschrank eingeschlossen wird, müssen die folgenden Maßnahmen vor dem Entsorgen getroffen werden:

- Entfernen Sie die Tür des Kühlschranks.

• Der Kühlschrank ist mit dem nachstehenden Symbol markiert, um darauf hinzuweisen, dass der Kühlschrank nicht im Haushaltsmüll entsorgt werden sollte.



Wenden Sie sich für Einzelheiten für das Entsorgen des Kühlschranks unter Einhaltung der geltenden Vorschriften an die örtlichen Behörden oder an einen Entsorgungsspezialisten.

Für die Isolation wurde Cyclopentan verwendet, so dass ein spezielles Entsorgungsverfahren notwendig ist. Wenden Sie sich für eine umweltgerechte Entsorgung des Kühlschranks an die örtlichen Behörden.

## **10. Garantie**

Es gilt die gesetzlich festgelegte Garantiezeit.

Wenden Sie sich bei einem Defekt des Kühlschranks entweder an einen Händler, dessen Kontaktinformationen auf Seite 28 dieser Anleitung aufgeführt sind oder an den nächsten ENGEL-Händler.

Für Reparaturen und Garantieansprüche müssen die folgenden Dokumente zusammen mit dem Kühlschrank bereitgestellt werden.

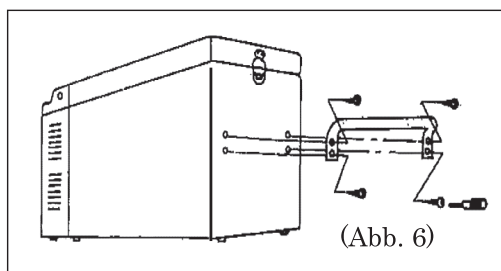
- Eine Kopie der Quittung, auf welcher das Kaufdatum ersichtlich ist
- Begründung des Anspruchs und/oder Beschreibung der Störung

## **11. Vor der ersten Inbetriebnahme**

### **11.1 Anbringen der Griffe**

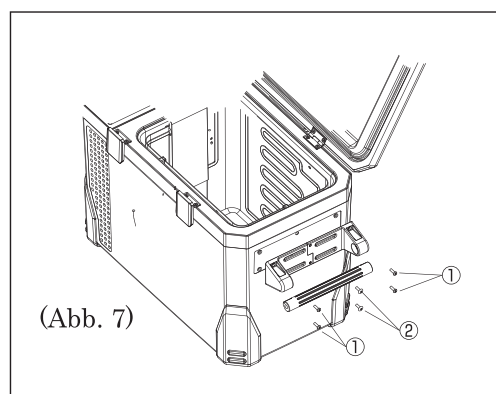
**Montieren Sie die Griffe, die sich im Inneren des Kühlschranks befinden, wie folgt.**

- MT-Serie



Die Griffe lassen sich an den Seiten des Kühlschranks anbringen. (Abb. 6)

- MR040F-G3



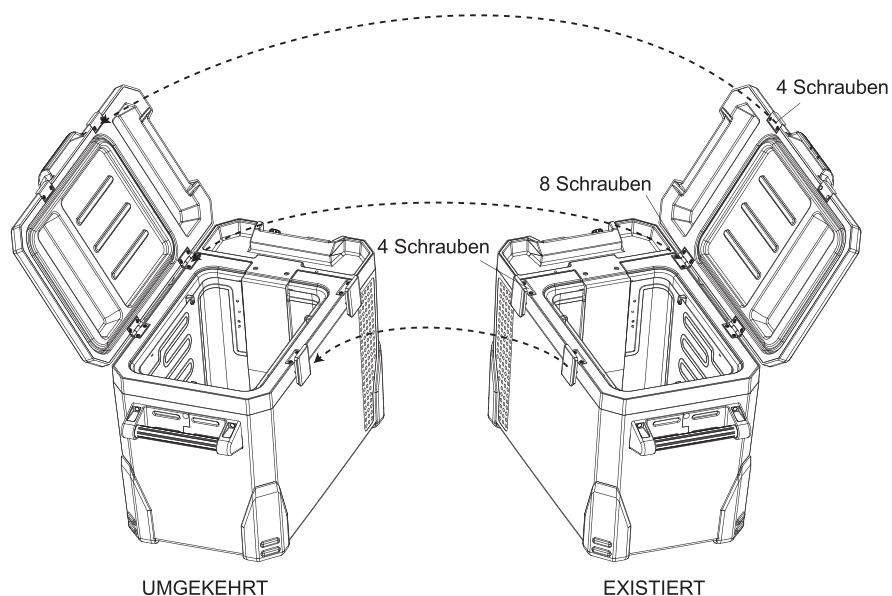
Die Griffe lassen sich an den Seiten des Kühlschranks anbringen. (Abb. 7)

- ① Linsenschrauben, 8 Stück
- ② Flachrundschrauben, 4 Stück

## 11.2 Ändern der Türschwenkrichtung (MR040F-G3)





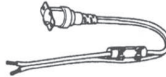
Gehen Sie zum Ändern der Türschwenkrichtung wie folgt vor.

- 1) Entfernen Sie die 16 Schrauben, mit denen die Scharniere und die Verriegelungen befestigt sind. (Siehe Abb. 8)
- 2) Bringen Sie sie auf der anderen Seite an, einschließlich der Verriegelungsplatten, und befestigen Sie die Tür am Gehäuse.



(Abb. 8)

## 12. Tabelle der Stromkabel




<b>A</b>	AC-KABEL	MT17F-G3-D MT27F-G3-D MR040F-G3	
<b>B</b>	AC-KABEL	MT35F SERIE MT45F SERIE	
<b>C</b>	DC-KABEL	ALLE MODELLE	
<b>D</b>	DC-KABEL	BATTERIEKABEL (OPTION)	  <p data-bbox="1139 786 1262 860">DC 12 V Oder DC 24 V DIREKT</p>

### **13. Technische Daten**

Modelle	<b>MT17F-G3-D</b>	<b>MT27F-G3-D</b>
Eingangsspannung:	12/24V $\overline{=}$ und 220 - 240 V 50/60 Hz	
Nennstrom:	12V $\overline{=}$ : 2,5A 24V $\overline{=}$ : 1,2A 220-240V $\sim$ : 0,37A	
Kühlleistung:	+8°C bis -18°C	+8°C bis -16°C
Kategorie:	1	
Energieeffizienzklasse:	A+	
Energieverbrauch:	106 kWh/Jahr	103 kWh/Jahr
Gesamtvolumen:	16 Liter	23 Liter
Fassungsvermögen:	15 Liter	20 Liter
Klimaklasse:	T	
Umgebungstemperatur:	+ 16°C ~ +43°C	
Geräuschpegel:	44 dB (A)	
Abmessungen B x T x H (mm)	307 X 549 X 364 mm	307 X 549 X 465mm
Gewicht:	16kg	15kg



Modelle	<b>MT35F-G3 MT35F-G3-DM MT35F -G3-S</b>	<b>MT45F-G3 MT45F-G3-DM MT45F -G3-S</b>
Eingangsspannung:	12/24V $\overline{\overline{\overline{\quad}}}$ und 220 - 240 V 50/60 Hz	
Nennstrom:	12V $\overline{\overline{\overline{\quad}}}$ : 2,5A 24V $\overline{\overline{\overline{\quad}}}$ : 1,2A 220-240V $\sim$ : 0,37A	
Kühlleistung:	+8°C bis -18°C	
Kategorie:	1	
Energieeffizienzklasse:	A+	
Energieverbrauch:	105 kWh/Jahr	97 kWh/Jahr
Gesamtvolumen:	34 Liter	45 Liter
Fassungsvermögen:	32 Liter	40 Liter
Klimaklasse:	T	
Umgebungstemperatur:	+ 16°C $\sim$ +43°C	
Geräuschpegel:	46 dB (A)	47 dB (A)
Abmessungen B x T x H (mm)	364 X 647 X 407mm	364 X 647 X 497mm
Gewicht:	21kg	24kg

Modelle	<b>MR040F-G3</b>
Eingangsspannung:	12/24V  und 220 - 240 V 50/60 Hz
Nennstrom:	12V  : 2,75A 24V  : 1,4A 220-240V ~ : 0,37A
Kühlleistung:	+8°C bis -18°C
Kategorie:	1
Energieeffizienzklasse:	A+
Energieverbrauch:	104 kWh/Jahr
Gesamtvolumen:	41 Liter
Fassungsvermögen:	38 Liter
Klimaklasse:	T
Umgebungstemperatur:	+ 16°C ~ +43°C
Geräuschpegel:	44 dB (A)
Abmessungen B x T x H (mm)	636 X 396 X 471mm
Gewicht:	22kg

### HINWEIS

Bei einer Umgebungstemperatur von unter +32°C (+90 °F) lässt sich die oben erwähnte Temperatur nicht erreichen.

Kältemittel R134a im Kühlmittel.

### Prüfungen/Zertifikate



## **14. Servicevertreter**

<Österreich>

HOECO Handels GmbH

Fischgasse 44

A-2483 Ebreichsdorf, Österreich

Tel:+43 02254 72031 0

[www.hoeco.at](http://www.hoeco.at)

<Frankreich>

OUTBACK IMPORT

Z.A Mathias Sud

26320 St Marcel-les-Valence, France

Tel:+33 0 4 7585 10 48

[www.outback-import.fr](http://www.outback-import.fr)

<Vereinigtes Königreich>

Bainbridge International Ltd.

Unit 8, Flanders Industrial Park, Hedge End

Southampton, Hampshire SO30 2FZ, United Kingdom

Tel:+44 01489 776000

[www.bainbridgeint.com](http://www.bainbridgeint.com)



**SAWAFUJI ELECTRIC CO., LTD.**

3, NITTAHAYAKAWA-CHO, OTA-CITY,  
GUNMA 370-0344, JAPAN

TEL: +81(0)276-56-7139

FAX: +81(0)276-56-6075

# ENGEL

LE MANUEL DE PROPRIÉTAIRE DE  
RÉFRIGÉRATEUR

**Séries MT**

MT17F-G3-D


MT27F-G3-D

MT35F-G3, MT35F-G3-DM, MT35F-G3-S

MT45F-G3, MT45F-G3-DM, MT45F-G3-S

**Séries MR**

MR040F-G3

 SAWAFUJI ELECTRIC CO., LTD.




Nous vous remercions d'avoir acheté un réfrigérateur ENGEL. Veuillez lire attentivement ce manuel avant toute utilisation. Conservez-le dans un endroit sûr pour référence ultérieure. Dans le cas où le produit serait revendu, ce manuel d'utilisation doit l'accompagner.

## **Table des matières**

<b>1. Explication des symboles</b> .....	2
<b>2. Consignes de sécurité</b> .....	2
<b>3. Usage prévu</b> .....	10
<b>4. Contrôles et affichage</b> .....	11
<b>5. Installation et Aération</b> .....	12
<b>6. Fonctionnement</b> .....	13
6.1 Raccordement à CA 220 V-240 V.....	13
6.2 Raccordement à la batterie CC 12 V ou 24 V.....	13
6.2.1 Raccordement à une prise allume-cigare.....	14
6.2.2 Raccordement direct embarqué avec kit en option...	15
6.2.3 Schéma de câblage du branchement à batterie double...	17
<b>7. Entretien du réfrigérateur</b> .....	18
7.1 Nettoyage de l'intérieur et de la porte.....	18
7.2 Dégivrage.....	18
7.3 Mise en garde relative au fusible et à son remplacement...	19
<b>8. Résolution des problèmes</b> .....	20
<b>9. Élimination</b> .....	21
<b>10. Garantie</b> .....	21
<b>11. Avant la première utilisation</b> .....	22
11.1 Installation des poignées.....	22
11.2 Inversion du sens d'ouverture de la porte (MR040F-G3)...	23
<b>12. Liste des cordons d'alimentation</b> .....	24
<b>13. Informations techniques</b> .....	25
<b>14. Agent de service</b> .....	28

## 1. Explication des symboles

Les symboles suivants sont utilisés dans ce MANUEL DU PROPRIÉTAIRE.

 <b>AVERTISSEMENT</b>	Ne pas respecter cette instruction peut entraîner des blessures graves voire fatales.
 <b>MISE EN GARDE</b>	Ne pas respecter cette instruction peut entraîner des blessures.
 <b>NOTE</b>	Ne pas respecter cette instruction peut endommager le produit et nuire à son bon fonctionnement.

## 2. Consignes de sécurité

Veillez lire attentivement ce manuel avant d'utiliser le réfrigérateur. Les instructions qu'il contient sont des mesures de sécurité destinées à prévenir les accidents.

### **AVERTISSEMENT**

- Ce réfrigérateur peut être utilisé par des enfants de 8 ans et plus ainsi que par des personnes souffrant de capacités physiques, sensorielles ou mentales réduites, ou manquant d'expérience et de connaissances, à condition qu'ils soient supervisés ou aient reçu des instructions relatives à son usage en toute sécurité et qu'ils comprennent les risques encourus.
- Ne laissez pas les enfants jouer avec le réfrigérateur. Utilisez et conservez toujours le réfrigérateur hors de la portée des enfants.
- Le nettoyage et l'entretien régulier ne doivent pas être effectués par des enfants sans surveillance.

- Ne stockez pas de substances explosives dans ce réfrigérateur, telles que des aérosols utilisant des gaz pulseurs inflammables.
- N'exposez jamais le réfrigérateur à la pluie.
- Le réfrigérateur n'est pas adapté à une utilisation en camping.
- Ne placez pas de récipients d'eau sur l'appareil. Si renversée, l'eau pourrait dégrader l'isolation des composants électriques et provoquer un incendie en raison des décharges électriques.
- Si le câble est endommagé, il doit être remplacé afin d'éviter un risque d'électrocution. Il doit être remplacé par un cordon neuf (produits ENGEL authentiques).
- Ne touchez pas l'intérieur ou d'autres parties métalliques de l'enceinte avec des mains humide, afin d'éviter les gelures.
- Ne mettez pas en contact les parties métalliques avec la borne positive d'une batterie.
- Du cyclopentane est utilisé comme isolant. Les gaz du matériau isolant exigent une procédure d'élimination spécifique, en accord avec la réglementation applicable en matière de traitement des déchets.
- Ne démontez jamais le réfrigérateur vous-même. Des réparations inadéquates peuvent engendrer des risques considérables.
- Pour éviter que le câblage entre la batterie et le réfrigérateur ne brûle en cas de court-circuit, installez un fusible de 10 A dans le circuit d'alimentation, à proximité de la batterie.
- En cas de fonctionnement en CC, utilisez le cordon d'alimentation CC d'origine fourni avec le réfrigérateur. Insérez entièrement la prise mâle de l'allume-cigare dans la prise femelle. Un branchement incomplet peut entraîner une déformation de la prise et/ou un incendie, en raison d'un mauvais contact.



- Lors du remplacement du fusible installé à l'intérieur de la prise, utilisez toujours un fusible exclusif Engel. N'utilisez jamais un fil électrique ou un plomb. Ceci pourrait entraîner un incendie dû à une surchauffe.
- Le fusible installé dans la prise mâle de l'allume-cigare possède un sens, indiqué par une flèche imprimée. Lorsque vous remplacez le fusible, veillez à ce que la flèche pointe dans le bon sens. Dans le cas contraire, le fusible ne sauterait pas en cas de surcharge, ce qui pourrait provoquer une déformation de la prise voire un incendie.
- Veillez à bien essuyer l'allume-cigare lorsque celui-ci entre en contact avec de l'eau ou une substance saline. Soyez extrêmement vigilant en essuyant le connecteur terminal de la prise. L'eau et les substances salines peuvent provoquer une perte de conductivité, un échauffement anormal et, potentiellement, une déformation de la prise voire un incendie si elles ne sont pas essuyées.
- Ne touchez pas l'extrémité métallique de la prise allume-cigare. L'ensemble de la prise allume-cigare s'échauffe lors du fonctionnement, même si celle-ci est correctement insérée. L'extrémité métallique peut notamment chauffer au point de brûler les doigts.
- Ce réfrigérateur peut fonctionner à la fois en CA (c'est-à-dire en étant branché sur une prise murale) et en CC (comme sur une batterie). Ne tentez pas de le faire fonctionner sur une tension supérieure à celle spécifiée, ni sur une tension autre que celles spécifiées dans ce manuel. Ne pas respecter cette consigne peut entraîner la panne du produit, voire un risque d'incendie.
- Dans le cas d'un fonctionnement en CA, n'utilisez pas de rallonge et ne branchez pas trop d'appareils sur une même prise. Ne pas respecter cette consigne peut entraîner un risque d'électrocution voire d'incendie.

- Dans le cas d'un fonctionnement en CA, assurez-vous que l'appareil est fermement branché. Un mauvais branchement peut entraîner un risque d'électrocution voire d'incendie.
- Nettoyez la prise du cordon CA afin de retirer toute la poussière des bornes et de leur base. De la poussière sur la prise pourrait entraîner un risque d'incendie ou d'électrocution en raison d'une isolation dégradée.
- N'essayez pas de vous suspendre à la porte du réfrigérateur. Ne vous asseyez pas sur le réfrigérateur lorsque la porte est ouverte. Ceci pourrait provoquer des blessures en cas de chute du réfrigérateur ou de doigts coincés dans la porte.
- Ne posez pas d'objets lourds sur le réfrigérateur. Ceci pourrait provoquer des blessures en cas de chutes de ces objets lors de l'ouverture de la porte.
- Assurez-vous qu'aucune partie du corps du réfrigérateur ne fait pression sur le cordon d'alimentation au point de le tordre. En cas de torsion importante, le cordon peut être endommagé au point de surchauffer et de s'embraser.
- Évitez d'utiliser des aérosols inflammables à proximité du réfrigérateur. Les contacts électriques pourraient déclencher un incendie.
- Lorsque le réfrigérateur est utilisé dans un coffre de voiture, assurez une aération adéquate. Dans le cas contraire, le réfrigérateur risque de surchauffer, d'être endommagé et même de s'enflammer.
- N'utilisez pas le réfrigérateur pour conserver des objets exigeant un contrôle précis de la température, tels que des médicaments ou des spécimens scientifiques. Ce réfrigérateur n'est pas adapté au stockage des objets de ce type.
- En cas de fuite de gaz autour de vous, ne touchez ni le

réfrigérateur ni son cordon d'alimentation. Ouvrez les fenêtres et aérez bien. Ne pas suivre ces instructions pourrait provoquer un incendie ou des brûlures dues à une explosion.

- Lorsqu'il est placé sur une étagère, fixez le réfrigérateur bien en place de façon à ce qu'il ne chute pas en cas de vibrations telles que lors d'un tremblement de terre et ne provoque pas de blessure.
- Lorsque le réfrigérateur est en cours de fonctionnement, n'utilisez pas de chargeur rapide pour recharger la batterie qui l'alimente. Les hautes tensions générées par le chargeur pourraient endommager le réfrigérateur et entraîner un incendie.
- Veillez à ne pas endommager, modifier, tordre, tirer, enrouler ou replier le câble d'alimentation. Ne coincez pas et ne pincez pas le câble d'alimentation sous des objets lourds. Ceci pourrait endommager le câble et provoquer un incendie ou une électrocution.
- N'utilisez pas le réfrigérateur si le câble d'alimentation est endommagé ou si sa prise est lâche. Ne pas suivre ces instructions pourrait entraîner une électrocution, un court-circuit ou un incendie.
- N'utilisez pas le réfrigérateur à proximité d'objets chauffés ou d'un équipement au gaz. Dans le cas contraire, non seulement ses capacités de refroidissement seraient réduites, mais il y aurait un risque d'incendie en cas de fuite de l'équipement au gaz.



#### **MISE EN GARDE**

- Débranchez le réfrigérateur de l'alimentation CA avant de le nettoyer ou procéder à son entretien, ainsi qu'après chaque utilisation.

- Soyez attentif à la polarité de la prise allume-cigares. La borne centrale doit être connectée au positif alors que les bornes latérales doivent être branchées sur le négatif ou la masse.
- Veillez à ne pas faire tomber le réfrigérateur lors du transport. Le réfrigérateur pourrait vous blesser et serait endommagé en cas de chute.
- Ne placez pas vos doigts entre la porte et le corps du réfrigérateur. Ceci pourrait provoquer des blessures lors de la fermeture de la porte.
- Ne placez pas d'êtres vivants tels que des animaux domestiques dans le réfrigérateur.
- Ne tentez pas d'ouvrir ou de fermer la porte du réfrigérateur tout en conduisant un véhicule. Ceci pourrait provoquer un accident en raison de la perte d'attention.
- Ce réfrigérateur est adapté pour refroidir des aliments. Si vous souhaitez refroidir des produits médicaux, vérifiez que la capacité de refroidissement du réfrigérateur est suffisante.
- N'utilisez jamais de chargeur de batterie, de transformateur, de redresseur, de stimulateur de batterie ou de convertisseur CA/CC pour alimenter le réfrigérateur. Ceci risquerait d'endommager l'appareil.
- Ne connectez jamais le réfrigérateur directement à un groupe électrogène, que sa tension de sortie soit en CA ou CC. Ceci pourrait entraîner un mauvais refroidissement et risquerait également d'endommager le réfrigérateur en raison des hautes tensions et des pointes de surcharge du groupe électrogène. Utilisez un régulateur de tension automatique pour le réfrigérateur. Contactez votre revendeur ENGEL pour toute question relative à l'utilisation d'un groupe électrogène pour l'alimentation du réfrigérateur.

- Les deux poignées qui accompagnent le réfrigérateur doivent être fermement fixées à celui-ci. Une mauvaise installation peut provoquer une chute imprévisible du réfrigérateur lors du transport, ce qui pourrait endommager l'appareil ou provoquer une panne, voire être une cause de blessures.
- Ne placez de poches froides dont le contenu fuit dans l'appareil. Certains blocs réfrigérants du commerce contiennent un type de produit chimique qui corrode les éléments métalliques du réfrigérateur. Si de tels produits chimiques sont renversés à l'intérieur du réfrigérateur, essuyez-les une première fois avec un chiffon humide et doux, puis une seconde fois avec un chiffon sec.
- Il est recommandé d'éteindre le réfrigérateur lorsque le moteur du véhicule est à l'arrêt, afin d'éviter d'épuiser la batterie.
- Soyez extrêmement prudent lors du transport du réfrigérateur.
- Pour installer et utiliser le réfrigérateur en continu dans un véhicule à des fins commerciales, il est recommandé de procéder à une installation et un raccordement permanent au véhicule afin d'éviter que la prise allume-cigare ne surchauffe et ne soit endommagée. Fare riferimento a 6.2.2 Raccordement direct embarqué avec kit en option. Consultez également si nécessaire le revendeur Engel le plus proche.

 **NOTE**

- Vérifiez que la tension indiquée sur la plaque signalétique du réfrigérateur correspond à celle fournie par toute source d'alimentation externe.
- Si la tension des bornes d'entrées CC du réfrigérateur descend en dessous de 10,7 V, l'efficacité du refroidissement diminue aussitôt. Conservez toujours la batterie en bon état de marche afin de vous assurer qu'elle est pleinement chargée.

- Ne tirez pas sur le câble de l'allume-cigare lorsque vous le débranchez.
- Si utilisé à bord d'un véhicule, fixez fermement le réfrigérateur à l'intérieur de celui-ci. Dans le cas contraire, le réfrigérateur pourrait tomber ou se déplacer en cas d'accélération ou de freinage brusque, et provoquer des blessures.
- N'utilisez jamais ce réfrigérateur à l'intérieur du compartiment réfrigéré d'un camion frigorifique où de la condensation pourrait facilement se former, provoquant des écoulements d'eau sur le réfrigérateur susceptibles de l'endommager.
- Ne placez pas de bouteilles en verre dans le réfrigérateur. Les bouteilles pourraient se briser en raison d'un choc externe ou des vibrations.
- Ne fixez pas le bouton de réglage de température sur « 5 », sauf pour le stockage de produits surgelés tels que de la viande congelée, de la crème glacée ou des glaçons. Dans le cas contraire, non seulement les boissons deviendraient imbuables, mais des explosions de cannettes pourraient provoquer des blessures.
- N'utilisez pas de couteau, de tournevis ni quelque objet pointu que ce soit pour retirer le gel de l'intérieur du réfrigérateur.
- Ne versez pas d'eau dans le réfrigérateur. Ceci pourrait provoquer des pannes dues aux infiltrations d'eau dans le matériau d'isolation ou dans les composants mécaniques et électriques. Si de l'eau se retrouve dans l'enceinte, essuyez-la avec un chiffon doux.
- Le réfrigérateur requiert une aération adéquate pour une efficacité optimale du refroidissement. Un espace insuffisant entre le réfrigérateur et les cloisons adjacentes pourrait réduire l'efficacité du refroidissement.
- Afin d'éviter que la batterie ne s'épuise, débranchez la prise allume-cigare du véhicule lorsque le réfrigérateur n'est pas utilisé.

- Lorsqu'elle est stockée dans le réfrigérateur, la nourriture doit être placée dans son emballage d'origine ou dans un contenant adapté.
- Le sur-remplissage du réfrigérateur peut provoquer un refroidissement insuffisant en raison d'une mauvaise circulation de l'air, et les aliments stockés risquent de se dégrader. Conservez de l'espace entre les aliments.
- La nourriture chaude ou tiède, telle que des produits bouillants, ne doivent être stockés qu'une fois refroidis.
- Il est recommandé d'emballer les aliments ou produits liquides à l'odeur forte avant de les placer dans le réfrigérateur.
- Faites refroidir les aliments et les boissons au préalable avant de les placer dans le réfrigérateur. Ce réfrigérateur n'est pas en mesure de refroidir rapidement les aliments et les boissons. Il est également recommandé de faire refroidir au préalable l'enceinte intérieure du réfrigérateur avant d'y stocker des aliments.
- Lorsque le réfrigérateur fonctionne, ne touchez pas la nourriture stockée ou ses contenants avec des mains humides, en particulier s'ils sont en métal. Ceci pourrait provoquer des gelures ou d'autres blessures.

### **3. Usage prévu**

Ce réfrigérateur est prévu pour une utilisation dans les voitures, les bateaux, les caravanes ou camping-cars, et est conçu pour fonctionner avec une inclinaison inférieure à 30°.

## 4. Contrôles et affichage

- MT17F-G3-D, MT27F-G3-D



Bouton de réglage de temp. et  
Témoin Lumineux

Renforcement de raccord



- MT35F-G3, MT45F-G3 (Corps Gris)
- MT35F-G3-DM, MT45F-G3-DM (Corps Gris avec thermomètre numérique)
- MT35F-G3-S, MT45F-G3-S (Corps Argent)



Bouton de réglage de temp. et  
Témoin Lumineux

Renforcement de raccord



- MR040F-G3



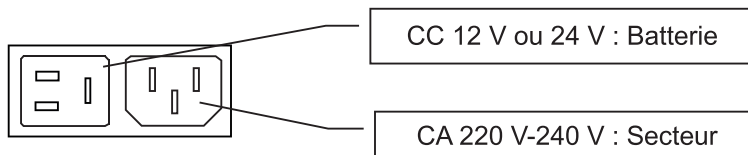
Bouton de réglage de temp. et  
Témoin Lumineux

Renforcement de raccord



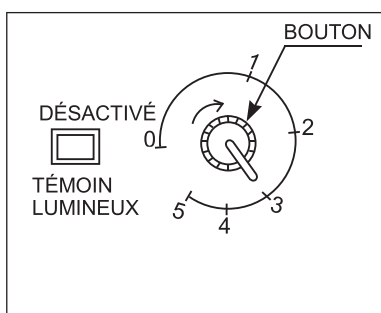


#### • Renforcement de raccord



#### • Réglage de la température

Tournez le bouton de réglage de température pour changer la température de l'air à l'intérieur du réfrigérateur.



Position du réglage de temp.	Température interne *
0	DÉSACTIVÉ (Arrêt)
1	Approx. 5 °C
2 - 4	Approx. 0 °C à -12 °C
5	Approx. -15 °C

\* par une température ambiante de 30 °C et avec la porte du réfrigérateur fermée

## **5. Installation et Aération**

Le réfrigérateur ne doit être utilisé que dans un endroit sec où il ne risque pas d'être exposé à des éclaboussures d'eau ou d'autres types de liquides, à la lumière directe du soleil ou à de la chaleur issue de conduites d'eau chaude, d'air chaud, de cuisinières, etc.

Le réfrigérateur doit être positionné et fixé sur une surface solide du véhicule.

Conservez le réfrigérateur à l'écart de la lumière directe du soleil, des cuisinières ou des chauffages, ainsi que des réfrigérateurs générant de la chaleur.

Évitez d'installer le réfrigérateur à proximité de conduites d'eau chaude ou d'air chaud.


Une aération adéquate et une distance correcte aux cloisons (au moins 150 mm) permet d'optimiser l'efficacité du refroidissement et de réduire la consommation d'énergie.

## **6. Fonctionnement**

Raccordez l'appareil à l'une des deux sources d'alimentation suivantes :

- CA 220–240 V depuis une prise murale (secteur)
- Batterie CC 12 V ou 24 V.

Il est possible de le raccorder à des tensions CA et CC simultanément, mais le CA sera automatiquement sélectionné si les deux tensions sont appliquées.

 **NOTE** : Avant de commencer à utiliser votre réfrigérateur, ses surfaces intérieures comme extérieures doivent être correctement nettoyées avec un chiffon humide, afin d'éviter tout problème d'ordre hygiénique.

### **6.1. Raccordement à CA 220 V-240 V**

Ce réfrigérateur peut être raccordé à une source d'alimentation domestique à l'aide du câble tripolaire fourni avec l'appareil.

Insérez la prise dans le renforcement de raccord du réfrigérateur.

Tournez ensuite le bouton de réglage de température sur « 0 » (DÉSACTIVÉ). Puis, placez-le sur n'importe quel réglage entre 1 et 5. L'indicateur LED vert s'allume. Tournez le bouton de réglage de température sur le réglage désiré.

### **6.2 Raccordement à la batterie CC 12 V ou 24 V**

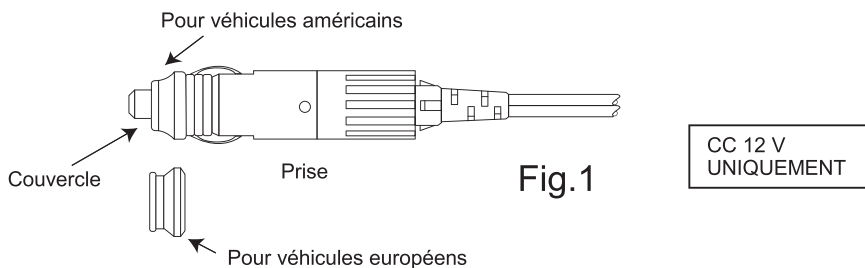
Veillez à ce que la tension de la batterie corresponde à celle indiquée sur l'étiquette du réfrigérateur. Si la tension de la batterie est trop élevée, le réfrigérateur pourrait être endommagé.

### 6.2.1 Raccordement à une prise allume-cigare CC 12 V

Insérez l'embout carré et moulé de la prise CC dans le renforcement de raccord du réfrigérateur. L'autre extrémité du câble se termine par une prise allume-cigare mâle.

Veillez à ce que la prise femelle de l'allume-cigare soit propre et libre de toute poussière, rouille ou tout autre objet étranger.

Pour changer le type de la prise, référez-vous à la Fig. 1 ci-dessous.



Insérez fermement la prise dans l'allume-cigare afin d'éviter qu'elle ne se libère. Un branchement lâche peut provoquer une surchauffe qui endommagerait l'allume-cigare.

Tout d'abord, tournez le bouton de réglage de température sur « 0 » (DÉSACTIVÉ). Puis, placez-le sur n'importe quel réglage entre 1 et 5. L'indicateur LED vert s'allume. Tournez le bouton de réglage de température sur le réglage désiré.

Pour arrêter le réfrigérateur, débranchez la prise de l'allume-cigare.

**⚠ MISE EN GARDE :** La borne centrale de la prise doit être connectée au positif, alors que les bornes latérales doivent être branchées sur le négatif ou la masse. En cas d'inversion du branchement, le fusible de la prise saute et le réfrigérateur devient inutilisable tant que celui-ci n'a pas été remplacé.

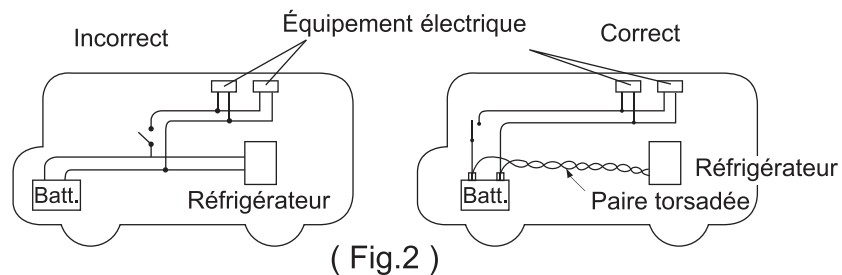
## 6.2.2 Raccordement direct embarqué avec kit en option

### 1) Paire torsadée

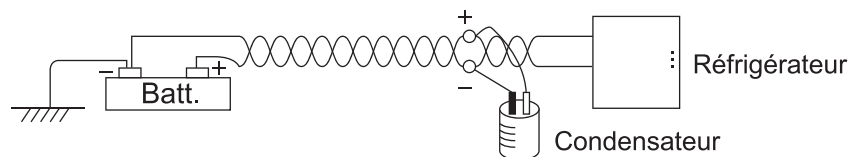
Afin de limiter les interférences radio lors du fonctionnement en CC, torsadez le câble négatif et le câble positif l'un avec l'autre en spirale (utilisez des câbles séparés), entre la batterie et la source d'alimentation CC.

### 2) Raccorder le réfrigérateur directement sur la batterie

Aucun interrupteur ni câble d'alimentation utilisés par d'autres équipements électriques ne doivent être partagés avec le câblage reliant le réfrigérateur et la batterie. (Les autres équipements peuvent provoquer des pics de tension risquant d'endommager les transistors de l'alimentation électrique du réfrigérateur. (Voir Fig. 2)



### 3) Afin d'éviter le bruit radio et l'absorption des surtensions hautes fréquences, insérez un condensateur de 10 000 $\mu\text{F}$ comme indiqué sur la Fig. 3 ci-dessous.



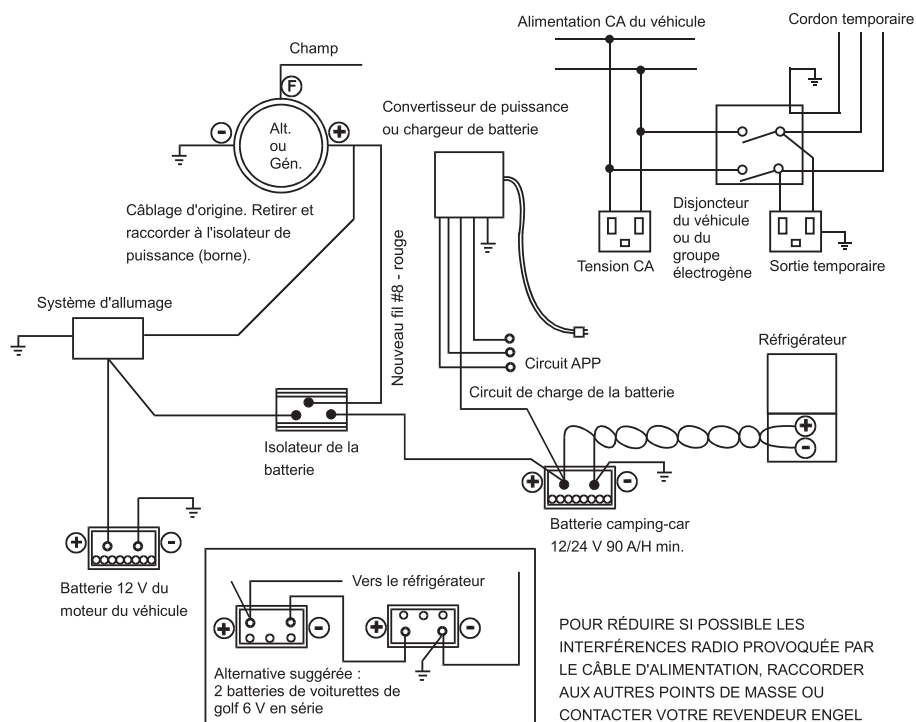
- 4) Il est important de choisir le bon calibre de câblage afin d'éviter une chute de tension. Consultez le tableau ci-dessous pour raccorder le réfrigérateur à la batterie.

Distance entre l'appareil et la batterie	Calibre de fil	
	Utilisation CC 12 V	Utilisation CC 24 V
Moins de 6 m (19 pieds)	SWG#16 (AWG#14) / 2,1 mm <sup>2</sup>	SWG#18 (AWG#16) / 1,25 mm <sup>2</sup>
De 6 m (19 pieds) à 10 m (32 pieds)	SWG#14 (AWG#12) / 3,3 mm <sup>2</sup>	SWG#16 (AWG#14) / 2,1 mm <sup>2</sup>
Plus de 10 m (32 pieds) (Non recommandé, trop long)	SWG#12 (AWG#10) / 5,3 mm <sup>2</sup>	SWG#14 (AWG#12) / 3,3 mm <sup>2</sup>


- 5) Pour éviter que le câblage entre la batterie et le réfrigérateur ne brûlent en cas de court-circuit, installez un fusible de 10 A dans le circuit d'alimentation, au plus près de la batterie.

### 6.2.3 Schéma de câblage du branchement à batterie double

Le schéma de câblage ci-dessous est recommandé pour le branchement à batterie double. (Voir Fig. 4)



( Fig.4 )


 **MISE EN GARDE** : Afin d'éviter d'endommager le réfrigérateur en cas d'inversion de polarité ou de court-circuit, installez un fusible 15 A (CC 12 V) ou 10 A (CC 24 V) dans le circuit d'alimentation, au plus près de la batterie.

## **7 Entretien du réfrigérateur**

### **7.1 Nettoyage de l'intérieur et de la porte**

Débranchez toujours la source d'alimentation électrique du réfrigérateur avant de le nettoyer ou d'effectuer son entretien.

- Nettoyez l'intérieur à l'aide d'un chiffon humidifié avec de l'eau tiède, puis essuyez de nouveau avec un chiffon sec.
- Nettoyez l'intérieur du réfrigérateur avec un chiffon humide.
- Nettoyez le condenseur interne à intervalles réguliers afin de retirer toute salissure (poussière, etc.).

 **NOTE** : N'utilisez jamais de brosse, de savon en poudre, de détergent, d'acide, de benzène, d'essence ou de diluants minéraux pour nettoyer le réfrigérateur, ceux-ci ayant tendance à égratigner le revêtement en plastique et la peinture.

### **7.2 Dégivrage**

À cause de l'humidité à l'intérieur de l'enceinte, du gel se forme à la surface de l'évaporateur après un certain temps d'utilisation.

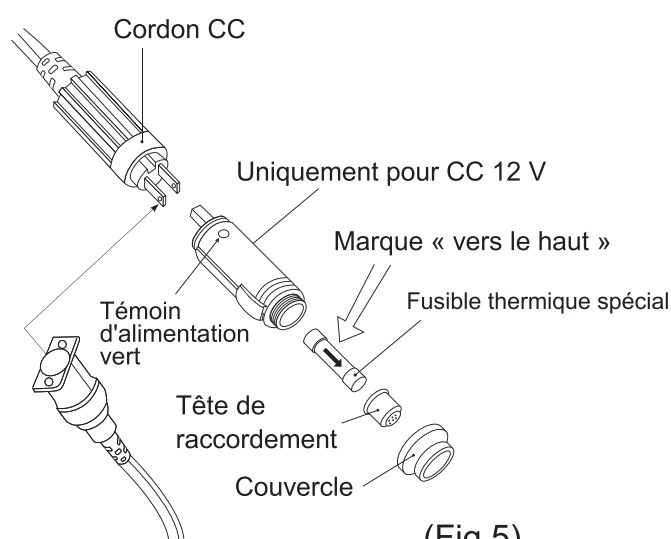
Une couche de gel de 6 mm (1/4 po) ou plus réduit l'efficacité du refroidissement. Afin d'éviter ceci, l'évaporateur doit être régulièrement dégivré.

Pour effectuer un dégivrage, éteignez et débranchez le réfrigérateur de façon à retirer complètement le gel de l'évaporateur.

### 7.3 Mise en garde relative au fusible et à son remplacement

Un fusible thermique spécial est installé dans la prise allume-cigare mâle du cordon CC, et coupe le courant en cas de situation anormale, comme par exemple une surchauffe de la prise.

- 1) Retirez le couvercle à l'extrémité de la prise du cordon CC en le tournant dans le sens inverse des aiguilles d'une montre.
- 2) En enlevant le couvercle, retirez également la tête de raccordement et le fusible.
- 3) Retirez le fusible de la tête de raccordement.
- 4) Remplacez le fusible par un nouveau après vous être assuré que son sens de polarité est correct (Fig. 5). Utilisez toujours le fusible thermique spécial fourni par les revendeurs Engel. La flèche imprimée sur le fusible doit pointer vers la tête de raccordement, comme indiqué sur la Fig. 5 ci-dessous.




- 5) Remontez la prise du cordon CC dans l'ordre inverse du démontage et serrez fermement le couvercle.



6) Contrôlez que le réfrigérateur fonctionne normalement.

Au moindre problème, contactez le revendeur ENGEL autorisé le plus proche.

 **MISE EN GARDE** : N'utilisez pas de fusible à tube en verre. Utilisez exclusivement les fusibles spécifiquement conçus pour les réfrigérateurs ENGEL et distribués par ses revendeurs.

## **8. Résolution des problèmes**

Panne	Cause possible	Action
Le compresseur ne fonctionne pas	Pas d'alimentation  Batterie en mauvais état. Unité électronique défaillante.  Défaillance de l'unité électronique	Vérifiez que l'unité électronique est alimentée en électricité  Contrôlez le fusible.  Contrôlez la polarité des connecteurs et des câbles.
L'intérieur n'est pas froid	La température ambiante est trop élevée.  Aération insuffisante  Gel sur l'évaporateur  Condenseur obstrué	Assurez une bonne aération du réfrigérateur.  Dégivrez l'évaporateur. (voir 7.2 Dégivrage)  Nettoyez le condenseur.

Si le problème persiste après avoir appliqué les solutions du tableau qui précède, consultez un agent de service ENGEL ou un revendeur proche.

Ne démontez jamais le réfrigérateur vous-même. Des réparations inadaptées peuvent entraîner des risques considérables.

## **9. Élimination**

### **AVERTISSEMENT**

- Afin d'éviter tout risque qu'un enfant se retrouve coincé à l'intérieur du réfrigérateur, effectuez les opérations suivantes avant de le jeter :
  - Retirez la porte du réfrigérateur.
- Ce réfrigérateur porte les symboles illustrés ci-dessous, qui indiquent qu'il ne doit pas être mêlé à des déchets ménagers lors de son élimination.



Avant de jeter ce réfrigérateur, contactez les autorités locales pour vous renseigner sur la méthode d'élimination correcte, ou un revendeur spécialisé pour connaître les informations relatives à la réglementation en vigueur.

L'isolation utilise du cyclopentane, qui requiert une procédure d'élimination spéciale. Contactez les autorités locales afin de vous renseigner sur l'élimination réfrigérateur dans le respect de l'environnement.

## **10. Garantie**

La période de garantie légale s'applique.

Si le réfrigérateur présente un défaut, contactez soit les agents dont les coordonnées sont indiquées à la page 28 de ce manuel, soit un revendeur ENGEL proche.

Pour des réparations et pour que la garantie soit traitée, accompagnez le réfrigérateur des documents suivants.

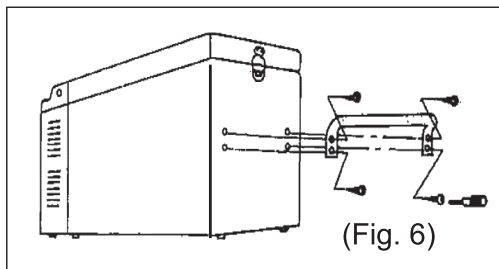
- Une copie du reçu avec la date d'achat
- La raison de la plainte et/ou la description de la panne

## **11. Avant la première utilisation**

### **11.1 Installation des poignées**

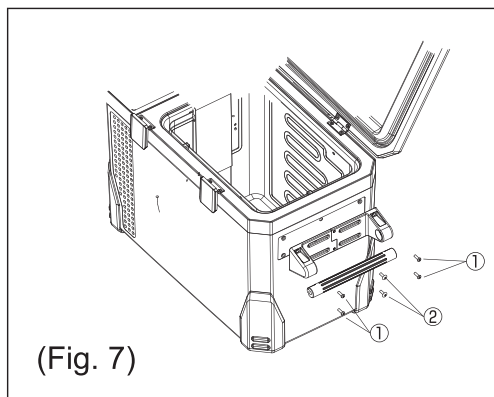
**Installez les deux poignées trouvées à l'intérieur de l'appareil en suivant les consignes suivantes.**

- Séries MT



Les poignées peuvent être vissées sur les côtés du réfrigérateur. (Fig. 6)

- MR040F-G3



Les poignées peuvent être vissées sur les côtés du réfrigérateur. (Fig. 7)

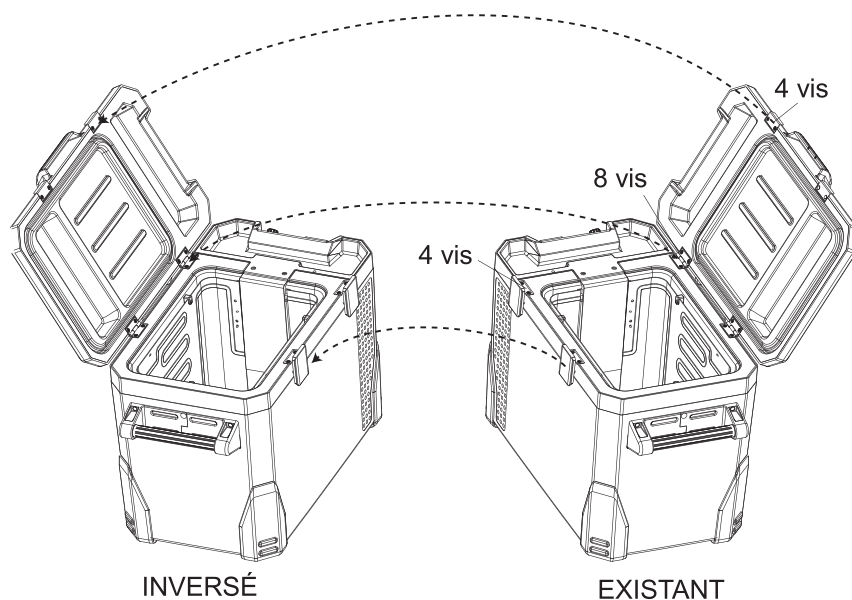
① Vis à tête cylindrique, x8

② Vis à tête bombée, x4

## 11.2 Inversion du sens d'ouverture de la porte (MR040F-G3)





Suivez les consignes ci-dessous pour changer le sens d'ouverture de la porte.

- 1) Retirez les 16 vis qui retiennent les charnières et les loquets. (Voir Fig. 8)
- 2) Placez-les avec les plaques de verrouillages de l'autre côté et revissez la porte et l'enceinte.







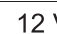

(Fig 8)




## 12. Liste des cordons d'alimentation

<b>A</b>	CORDON CA	MT17F-G3-D MT27F-G3-D MR040F-G3	
<b>B</b>	CORDON CA	SÉRIES MT35F SÉRIES MT45F	
<b>C</b>	CORDON CC	TOUS LES MODÈLES	
<b>D</b>	CORDON CC	CORDON DE BATTERIE (EN OPTION)	 <p data-bbox="756 855 938 873">PARTIE DU CORDON CC</p> <p data-bbox="1152 819 1267 873">CC 12 V ou 24 V DIRECT</p>

### **13. Informations techniques**

Modèles	<b>MT17F-G3-D</b>	<b>MT27F-G3-D</b>
Tension d'entrée :	12/24 V  et 220-240 V 50/60 Hz	
Courant nominal :	12 V  : 2,5 A 24V  : 1,2 A 220-240 V ~ : 0,37 A	
Capacité de refroidissement :	+8 °C à -18 °C	+8 °C à -16 °C
Catégorie :	1	
Classe d'efficacité énergétique :	A+	
Consommation d'énergie :	106 kWh/an	103 kWh/an
Volume brut :	16 L	23 L
Volume utile :	15 L	20 L
Classe climatique :	T	
Temp. ambiante :	+ 16°C ~ +43°C	
Niveau sonore :	44 dB (A)	
Dimensions L x P x H (mm)	307 X 549 X 364 mm	307 X 549 X 465 mm
Poids :	16 kg	15kg

Modèles	<b>MT35F-G3</b> <b>MT35F-G3-DM</b> <b>MT35F -G3-S</b>	<b>MT45F-G3</b> <b>MT45F-G3-DM</b> <b>MT45F -G3-S</b>
Tension d'entrée :	12/24 V  et 220-240 V 50/60 Hz	
Courant nominal :	12 V  : 2,5A 24V  : 1,2 A 220-240 V~ : 0,37A	
Capacité de refroidissement :	+8 °C à -18 °C	
Catégorie :	1	
Classe d'efficacité énergétique :	A+	
Consommation d'énergie :	105 kWh/an	97 kWh/an
Volume brut :	34 L	45 L
Volume utile :	32 L	40 L
Classe climatique :	T	
Temp. ambiante :	+ 16°C ~ +43°C	
Niveau sonore :	46 dB (A)	47 dB(A)
Dimensions L x P x H (mm)	364 X 647 X 407 mm	364 X 647 X 497 mm
Poids :	21kg	24kg

Modèles	<b>MR040F-G3</b>
Tension d'entrée :	12/24 V  et 220-240 V 50/60 Hz
Courant nominal :	12 V  : 2,75A 24V  : 1,4A 220-240 V~ : 0,37A
Capacité de refroidissement :	+8 °C à -18 °C
Catégorie :	1
Classe d'efficacité énergétique :	A+
Consommation d'énergie :	104 kWh/an
Volume brut :	41 L
Volume utile :	38 L
Classe climatique :	T
Temp. ambiante :	+ 16°C ~ +43°C
Niveau sonore :	44 dB (A)
Dimensions L x P x H (mm)	636 X 396 X 471 mm
Poids :	22kg

**!** NOTE

Si la température ambiante dépasse +32 °C (+90 °F), la température la plus basse indiquée ci-dessus ne peut pas être atteinte.

Le liquide de refroidissement contient du gaz réfrigérant R134a.

Tests / Certifications





## **14. Agent de service**

<Autriche>

HOECO Handels GmbH

Fischgasse44

A-2483 Ebreichsdorf, Autriche

Tél : +43 02254 72031 0

[www.hoeco.at](http://www.hoeco.at)

<France>

OUTBACK IMPORT

Z.A Mathias Sud

26320 St Marcel-les-Valence, France

Tél : +33 (0) 4 75 85 10 48

[www.outback-import.fr](http://www.outback-import.fr)

<Royaume-Uni>

Bainbridge International Ltd

Unit 8, Flanders Industrial Park, Hedge End

Southampton, Hampshire SO30 2FZ, Royaume-Uni

Tél : +44 01489 776000

[www.bainbridgeint.com](http://www.bainbridgeint.com)



**SAWAFUJI ELECTRIC CO., LTD.**

3, NITTAHAYAKAWA-CHO, OTA-CITY,  
GUNMA 370-0344, JAPON

TÉL : +81(0)276-56-7139

FAX : +81(0)276-56-6075

Séries MR • MT 2015

# ENGEL

KØLESKAB BRUGSVEJLEDNING

**MT-serie**

MT17F-G3-D


MT27F-G3-D

MT35F-G3, MT35F-G3-DM, MT35F-G3-S

MT45F-G3, MT45F-G3-DM, MT45F-G3-S

**MR-serie**

MR040F-G3

 SAWAFUJI SAWAFUJI ELECTRIC CO., LTD.




Mange tak for købet af vores ENGEL-køleskab. Læs denne håndbog omhyggeligt, før du begynder at bruge det. Opbevar denne håndbog på et sikkert sted med henblik på fremtidigt brug. Hvis du videresælger køleskabet, skal håndbogen følge med.

## Indhold

<b>1. Symbolforklaring</b> .....	2
<b>2. Sikkerhedsanvisninger</b> .....	2
<b>3. Brug efter hensigten</b> .....	10
<b>4. Styreelementer og visning</b> .....	11
<b>5. Installation og ventilation</b> .....	13
<b>6. Drift</b> .....	13
6.1 Tilslutning til 220V-240V AC.....	13
6.2 Tilslutning til 12V eller 24V DC-batteri.....	14
6.2.1 Tilslutning til 12V DC-cigarettænder.....	14
6.2.2 Direkte tilslutning til køretøjets ledningsnet med valgfrit sæt.....	15
6.2.3 Ledningsdiagram over dobbelt batteritilslutning.....	16
<b>7. Vedligeholdelse af køleskabet</b> .....	18
7.1 Rengøring af kabinet og dør.....	18
7.2 Afrimning.....	18
7.3 Pas på ved sikringen, og når du udskifter den.....	19
<b>8. Fejlfinding</b> .....	20
<b>9. Bortskaffelse</b> .....	21
<b>10. Garanti</b> .....	21
<b>11. Før første anvendelse</b> .....	22
11.1 Montering af håndtag.....	22
11.2 Ændring af dørens svingretning (MR040F-G3).....	23
<b>12. Oversigt over strømledninger</b> .....	24
<b>13. Tekniske data</b> .....	25
<b>14. Servicerepræsentant</b> .....	28

## 1. Symbolforklaring

Der anvendes følgende symboler i denne BRUGERHÅNDBOG.

 <b>ADVARSEL</b>	Hvis oplysningerne i håndbogen tilsidesættes, er der fare for dødsfald eller alvorlige personskader.
 <b>FORSIGTIG</b>	Hvis oplysningerne i håndbogen tilsidesættes, er der fare for personskader.
 <b>NB</b>	Hvis oplysningerne i denne håndbog tilsidesættes, er der fare for materielle skader og nedsættelse af produktets funktion.

## 2. Sikkerhedsanvisninger

Læs denne håndbog omhyggeligt, før du begynder at bruge køleskabet. Disse anvisninger er sikkerhedsforholdsregler med henblik på at forebygge ulykker.

### **ADVARSEL**

- Dette køleskab kan bruges af børn over 8 år og personer med nedsatte fysiske, sensoriske eller mentale evner eller mangel på erfaring og kendskab, såfremt de overvåges eller får anvisninger om, hvordan køleskabet skal bruges på en sikker måde og om de risikomomenter, der følger med.
- Børn må ikke lege med køleskabet. Sørg altid for, at køleskabet er utilgængeligt for børn.
- Børn må ikke rengøre og vedligeholde køleskabet uden

overvågning.

- Opbevar ikke eksplosive stoffer som f.eks. aerosol-dåser med brændbare drivgasser i køleskabet.
- Udsæt aldrig køleskabet for regn.
- Køleskabet er velegnet til brug på campingturen.
- Sæt ikke en beholder fyldt med vand ind i køleskabet. Spildt vand ødelægger isoleringen på elektriske komponenter og kan forårsage brand som følge af elektrisk kortslutning.
- Hvis ledninger tager skade, skal de udskiftes for at forebygge muligheden for elektrisk stød. En beskadiget ledning skal udskiftes med en ny (originale ENGEL-produkter).
- Berør ikke de indvendige eller metalliske dele af skabet med våde hænde, da dette kan forårsage forfrysninger.
- Pas på, at den positive pol på et batteri ikke kommer i kontakt med metaldele.
- Der bruges cyclopentan som isolering. Gasserne i isoleringsmaterialet kræver særlige fremgangsmåder i forbindelse med bortskaffelsen iht. gældende miljøregler.
- Skil aldrig selv køleskabet ad. Dårligt udførte reparationer kan medføre væsentlige faremomenter.
- Installer en 10 A-sikring i ledningsnettet i nærheden af batteriet. På denne måde undgås det, at ledningsnettet fra batteriet til køleskabet bryder i brand, såfremt der opstår en kortslutning.
- Brug jævnstrømsledningen, der følger med køleskabet, når

den kører på jævnstrøm. Sørg for, at stikket til cigarettænderen er presset helt ind. Hvis stikket ikke sidder som det skal, kan fatningen tage skade, og/eller der kan opstå brand på grund af overophedning af den løse forbindelse.

- Når sikringen inde i cigarettænderens fatning skiftes, skal du altid bruge den originale Engel-sikring. Brug aldrig en ledning eller en leder i stedet for. Hvis du gør det, kan stikket bryde i brand på grund af overophedning.
- Sikringen inde i cigarettænderen er påtrykt en pil, der viser orienteringen. Sørg for, at pilen peger i den rigtige retning, når du udskifter sikringen. Hvis du ikke gør det, kan sikringen gå på grund af overophedning, hvorved sikringen bryder i brand og/eller deformeres.
- Hvis cigarettænderen kommer i kontakt med vand eller saltholdige stoffer, skal du sørge for at tørre den omhyggeligt af. Vær ekstra forsigtig, når du tørrer hovedet på stikket af. Hvis der stadig er vand eller saltholdige stoffer på enden af stikket til cigarettænderen, dannes der rust, hvilket giver en dårlig elektrisk forbindelse og unormal overophedning, ligesom der er risiko for, at stikket bryder i brand og/eller deformeres.
- Berør ikke metalenden af stikket til cigarettænderen. Hele stikket til cigarettænderen bliver varm, når den bruges, selv om stikket er sat godt og sikkert i fatningen. Særligt metalenden bliver så varm, at du kan brænde fingrene på den.
- Dette køleskab kører på vekselstrøm, dvs. fra kontakten i væggen og på jævnstrøm som f.eks. fra batteri. Forsøg ikke at bruge køleskabet med en spænding over den specificerede eller med en strømkilde, der ikke er specificeret her. Hvis du ikke overholder dette, tager

produktet skade, eller der opstår brand.

- Hvis du bruger vekselstrøm, må du ikke anvende forlængerledning eller sætte for mange stik i én fatning. Hvis du ikke overholder dette, kan produktet give elektrisk stød eller bryde i brand.
- Når du bruger vekselstrøm, skal du sørge for, at stikket er sat godt i. En dårlig forbindelse kan forårsage elektrisk stød eller brand.
- Rengør stikket til vekselstrømsledningen, så der ikke er støv på benene og på grundfladen. Hvis der er støv på stikket, er der fare for elektrisk stød på grund af forringet isolering.
- Hæng ikke på køleskabsdøren. Sid ikke på køleskabet, mens døren er åben. Hvis du gør det, er der fare for personskade, hvis køleskabet vælter, eller du kan få fingrene i klemme i døren.
- Læg ikke tunge genstande på køleskabet. Tunge genstande, der falder ned, når døren åbnes, kan forårsage personskade.
- Pas på, at strømledningen til køleskabet ikke bøjes i knæk. Hvis ledningen bøjes i knæk, kan den tage skade og forårsage overophedning og bryde i brand.
- Undgå at bruge brandbare gasser i nærheden af køleskabet. Der er risiko for, at de elektriske kontakter forårsager ildebrand.
- Sørg for tilstrækkelig ventilation, hvis køleskabet bruges i bilens bagagerum. Hvis denne regel tilsidesættes, kan køleskabet overophedes og tage skade med risiko for ildebrand.



- Opbevar ikke genstande, der kræver præcis regulering af temperaturen som f.eks. medicin eller videnskabelige prøver. Dette køleskab er ikke egnet til at opbevare genstande af denne type.
- Hvis der strømmer brugsgas ud omkring dig, må du ikke berøre køleskabet eller stikket på ledningen. Åbn vinduet, og sørg for god ventilation. Hvis denne regel tilsidesættes, er der risiko for ildebrand og/eller forbrænding som følge af eksplosion.
- Hvis køleskabet står på gulvet, skal det sikres, så det ikke vælter og forårsager personskade i forbindelse med rystelser som f.eks. jordskælv.
- Mens køleskabet er i brug, må der ikke bruges hurtigoplader til at oplade batteriet, der leverer strøm til køleskabet. Højspændingen fra opladeren kan beskadige køleskabet og forårsage ildebrand.
- Pas på ikke at beskadige, ændre, bukke, trække, sno eller rinke elledningen op. Pas på, at elledningen ikke fanges eller klemmes af tunge genstande. Der er fare for, at ledningen kan tage skade og dermed bryde i brand eller give elektrisk stød.
- Brug ikke køleskabet, hvis elledningen er beskadiget, eller hvis stikket har dårligt fæste. Hvis denne regel ikke følges, er der fare for elektrisk stød, kortslutning eller brand.
- Brug ikke køleskabet i nærheden af varmelegemer eller gasudstyr. Hvis du gør det, nedsættes ikke alene kølefunktionen, men der vil også opstå ildebrand, hvis der lækker brugsgas ud.

## **FORSIGTIG**

- Afbryd køleskabet fra vekselstrømmen, før du rengør eller vedligeholder det og hver gang, det har været i brug.
- Vær opmærksom på polariteten til stikket på cigarettænderen; det midterste ben skal tilsluttes den positive leder, mens benene ud i siderne skal forbindes til den negative leder eller til jord.
- Pas på ikke at tabe køleskabet, hvis du bærer det. Køleskabet tager skade, hvis du taber det, og der er også fare for, at du selv kommer til skade.
- Stik ikke fingrene ind mellem døren og selve køleskabet. Hvis du gør det, er der risiko for personskade, når døren lukkes.
- Put ikke levende ting som f.eks. kæledyr ind i køleskabet.
- Forsøg ikke at åbne eller lukke køleskabet, mens du kører bil. Du bliver distraheret fra kørslen med fare for trafikulykke.
- Køleskabet er velegnet til at køle madvarer. Hvis du ønsker at køle medicin, skal du kontrollere, at køleskabets kølekapacitet er tilstrækkelig.
- Brug aldrig en batterioplader, transformer, ensretter, batterieliminatør eller AC/DC-omformer til at forsyne køleskabet med strøm. Hvis du gør det, kan køleskabet tage skade.
- Forbind aldrig køleskabet direkte til en motordrevet generator, uanset om den kører med vekselstrøm eller jævnstrøm. Det vil føre til en dårlig køling og kan også beskadige køleskabet på grund af den høje spænding og stød- og impulsstrømmen fra generatoren. Brug en

automatisk spændingsregulator til køleskabet. Kontakt ENGEL-forhandleren, hvis du har spørgsmål om brugen af en motordrevet generator som strømkilde for køleskabet.

- Håndtagsparret, der følger med køleskabet, skal fastgøres sikker på køleskabet. Ved en dårlig montering er der risiko for at tabe køleskabet, mens du transporterer det, hvorved der er fare for, at køleskabet tager skade eller svigter, ligesom der er fare for personskade.
- Læg ikke kølepakker med utæt emballage ind i køleskabet. Nogle af de almindelige kølepakker indeholder en type kemikalier, der korroderer metaldelene i køleskabet. Hvis disse kemikalier spildes inde i køleskabet, skal de tørres op med en våd, blød klud og tørres efter igen med en tør klud.
- Det anbefales at slukke for køleskabet, når der er slukket for bilmotoren, så batteriet ikke løber tør for strøm.
- Vær ekstra forsigtig, når du transporterer køleskabet.
- Hvis du ønsker at installere og bruge køleskabet permanent i et køretøj med henblik på erhvervsmæssig brug, anbefales det at oprette et permanent ledningsnet, idet cigarettænderens stik så beskyttes mod overophedning og deformation. Der henvises til 6.2.2 Direkte tilslutning til køretøjets ledningsnet med valgfrit sæt. Kontakt også nærmeste Engel-forhandler, hvis der er behov for det.

**ⓘ NB**

- Kontroller, om spændingen på køleskabets typeskilt stemmer overens med spændingen i den eksterne strømkilde.

- Hvis spændingen på DC-indgangsbenene falder under 10,7 volt, nedsættes kølekapaciteten omgående. Hold altid batteriet i god stand, så du er sikker på, at det er ladet helt op.
- Træk ikke i ledningen, når du tager stikket til cigarettænderen ud af fatningen.
- Hvis køleskabet bruges i et køretøj, skal det monteres sikkert inde i køretøjet. Hvis køleskabet ikke er sikkert monteret, er der fare for personskade, hvis køleskabet glider eller vælter, når der accelereres eller bremses kraftigt op.
- Brug aldrig køleskabet inde i en kølelastbils kølerum, hvor der let opstår kondens, så der drypper vand ned på køleskabet og beskadiger det.
- Læg ikke glasflasker ind i køleskabet. Der er fare for, at flaskerne går itu ved eksterne stød eller rystelser.
- Indstil kun temperaturindstillingsknappen på "5", når du opbevarer frosne varer som f.eks. frosne madvarer og is. I modsat fald bliver drikkevarerne ikke blot udrikkelige, men flaskerne kan eksplodere med risiko for personskade.
- Brug ikke en kniv, en skruetrækker eller skarpe genstande til at fjerne rim fra køleskabet.
- Hæld ikke vand i køleskabet. Der er fare for, at køleskabet svigter, idet der trænger vand ind i isoleringsmaterialet eller mekaniske og elektriske komponenter. Hvis der samles vand inde i køleskabet, skal det tørres op med en blød klud.
- For at køleskabet fungerer optimalt, skal der være en passende ventilation. Hvis der ikke er tilstrækkeligt frirum mellem køleskabet og væggen, kan køleeffekten

reduceres.

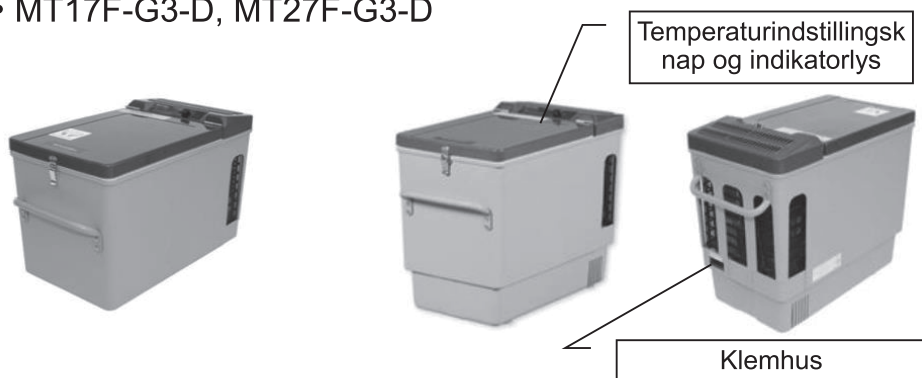
- Tag stikket til cigarettænderen ud af fatningen, når køleskabet ikke bruges. På denne måde forebygges det, at batteriet løber tør for strøm.
- Madvarer skal opbevares i den originale emballage eller lægges i en passende beholder, når de lægges i køleskabet.
- Hvis køleskabet pakkes for tæt, nedsættes køleeffekten på grund af dårlige luftcirkulation med risiko for, at de opbevarede madvarer fordærves. Sørg for, at der er frirum mellem de opbevarede fødevarer.
- Varm mad som f.eks. kogte produkter må først opbevares i køleskabet, når maden er kølet tilstrækkeligt ned.
- Det anbefales at pakke stærkt lugtende vandholdige madvarer eller produkter ind, når de lægges i køleskabet.
- Lad mad- og drikkevarer køle ned, før de lægges i køleskabet. Køleskabet kan ikke køle mad- og drikkevarer ned i løbet af kort tid. Det anbefales også at køle køleskabets kabinet ned, før der lægges madvarer ind i det.
- Når køleskabet bruges, må madvarerne eller beholderne, særligt beholdere af metal, ikke berøres med våde hænder. Hvis du gør det, er der risiko for forfrysninger eller andre personskader.

### **3. Brug efter hensigten**

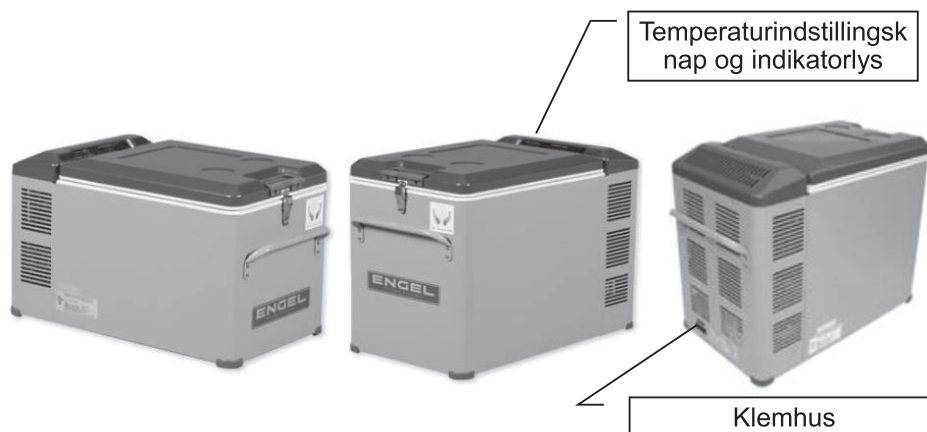
Køleskabet er velegnet til brug i biler, både, campingvogne eller RV'er og må udføre vippebevægelser på op til maks. 30° fra vandret.

#### **4. Styreelementer og visning**

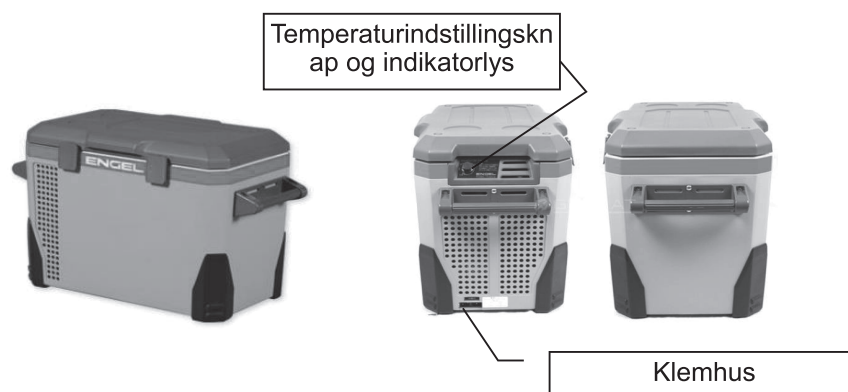
- MT17F-G3-D, MT27F-G3-D



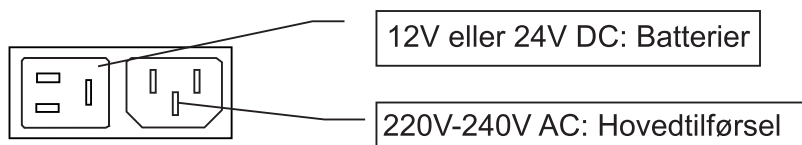
- MT35F-G3, MT45F-G3 (Gråt korpus)
- MT35F-G3-DM, MT45F-G3-DM (Gråt korpus med digitalt termometer)
- MT35F-G3-S, MT45F-G3-S (Sølvfarvet korpus)



- MR040F-G3

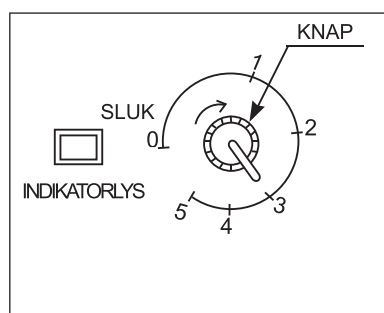


- Klemhus



- Temperaturindstilling

Drej på temperaturindstillingsknappen for at ændre lufttemperaturen inde i køleskabet.



Temperaturindstillingsposition	Indvendig temperatur *
0	SLUK (Stop)
1	Ca. 5°C
2 - 4	Ca. 0°C - -12°C
5	Ca. -15°C

\* ved en omgivende temperatur på 30°C med køleskabsdøren lukket

## **5. Installation og ventilation**

Køleskabet skal bruges i tørre rum, hvor det ikke kan stænkes til af vand eller andre væsker, ikke udsættes for direkte sollys eller varme fra varme ledninger, varme luftudtag, ovne eller lignende.

Køleskabet skal anbringes og sikres på et fast underlag i køretøjet.

Udsæt ikke køleskabet for direkte sollys, gasovne, radiatorer eller varmegenererende køleskabe.

Undgå at installere køleskabet tæt ved varmtvandsledninger eller varmluftskanaler.

En tilstrækkelig ventilation og en passende afstand fra væggen (mindst 150 mm) sørger for optimal køleeffekt og minimeret strømforbrug.

## **6. Drift**

Må kun tilsluttes følgende strømkilder:

- 220–240V AC fra vægkontakten (hovedtilførselsledningen)
- 12V eller 24V DC-batteri.

AC og DC-spænding kan tilsluttes samtidigt, hvis der automatisk vælges AC, hvis begge strømforsyninger aktiveres.

**⚠ NB:** Før du starter med at bruge dit nye køleskab, skal det rengøres omhyggeligt både udvendigt og indvendigt med en våd klud for at forebygge problemer med hygiejnen.

### **6.1. Tilslutning til 220V-240V AC**

Dette køleskab kan tilsluttes den almindelige strømforsyning



ved at bruge ledningen med tre ledere, der følger med køleskabet.

Sæt stikket i indgangen til klemhuset på køleskabet.

Indstil derefter temperaturindstillingsknappen på "0" (SLUK). Indstil den derpå mellem 1 og 5, og den grønne LED tændes. Drej temperaturindstillingsknappen til den ønskede indstilling.

## 6.2 Tilslutning til 12V eller 24V DC-batteri

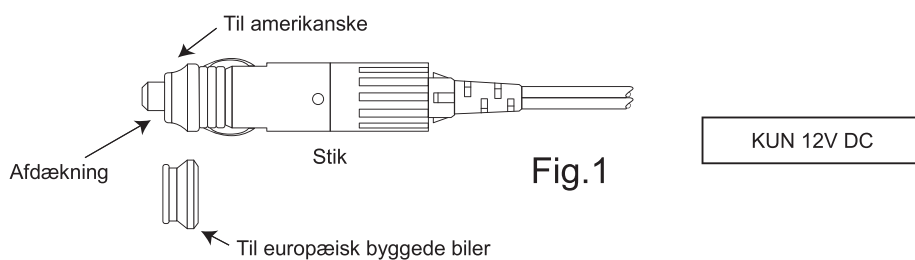
Forvis dig om, at batterispændingen svarer til spændingen på køleskabets typeskilt. Hvis batterispændingen er for høj, tager køleskabet skade.

### 6.2.1 Tilslutning til 12V DC-cigarettænder

Sæt det firkantede DC-stik i klemhuset på køleskabet. Den anden ende af ledningen sættes i cigarettænderen.

Forvis dig om, at cigartænderens fatning er ren og fri for støv, rust eller andre fremmedlegemer.

Se fig. 1 nedenfor med henblik på at skifte stikhovedtype.



Sæt stikket sikkert i cigarettænderens fatning, så det ikke går løs. Løse forbindelser kan resultere i overophedning, hvilket vil beskadige cigarettænderens fatning.

Indstil først temperaturindstillingsknappen på "0" (SLUK). Indstil den derpå mellem 1 og 5, og den grønne LED tændes. Drej temperaturindstillingsknappen til den ønskede indstilling.

Tag stikket ud af cigarettænderens fatning.

**⚠ FORSIGTIG:** Det midterste ben skal tilsluttes den positive leder, mens benene ud i siderne skal forbindes til den negative leder eller til jord. Hvis der tilsluttes omvendt, går sikringen, og køleskabet fungerer ikke, før der sættes en ny sikring i.

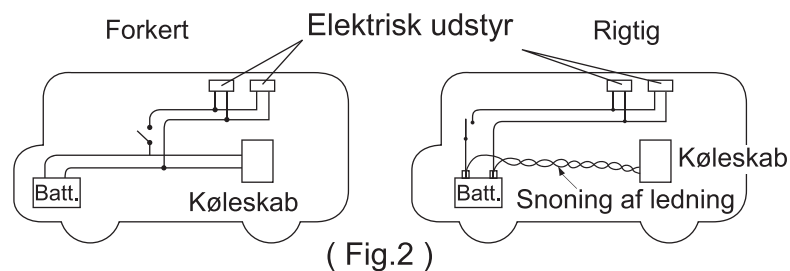
### 6.2.2 Direkte tilslutning til køretøjets ledningsnet med valgfrit sæt

#### 1) Snoet ledning

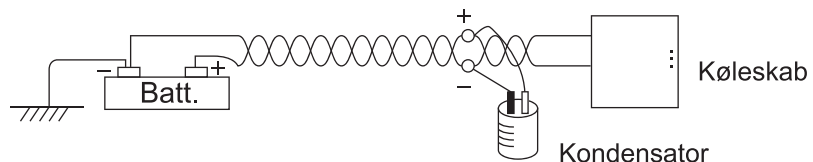
For at reducere radiointerferensen under DC-funktionen kan de positive og negative kabler (brug separate kabler) sno omkring hinanden mellem batteriet og DC-udgangen.

#### 2) Direkte tilslutning af køleskabet til batteri

Kontakter og ledningstråde til andet elektrisk udstyr må ikke være fælles for ledningerne mellem køleskabet og batteriet. (Andet udstyr genererer høje spændingsimpulser, som kan forstyrre overførslen til køleskabets strømforsyning. (Se fig. 2)



3) Installer en kondensator på 10000 $\mu$ -F som vist på fig. 3 nedenfor for at forebygge radiostøj og afværge høj stød- og impulsstrøm.



( Fig.3 )

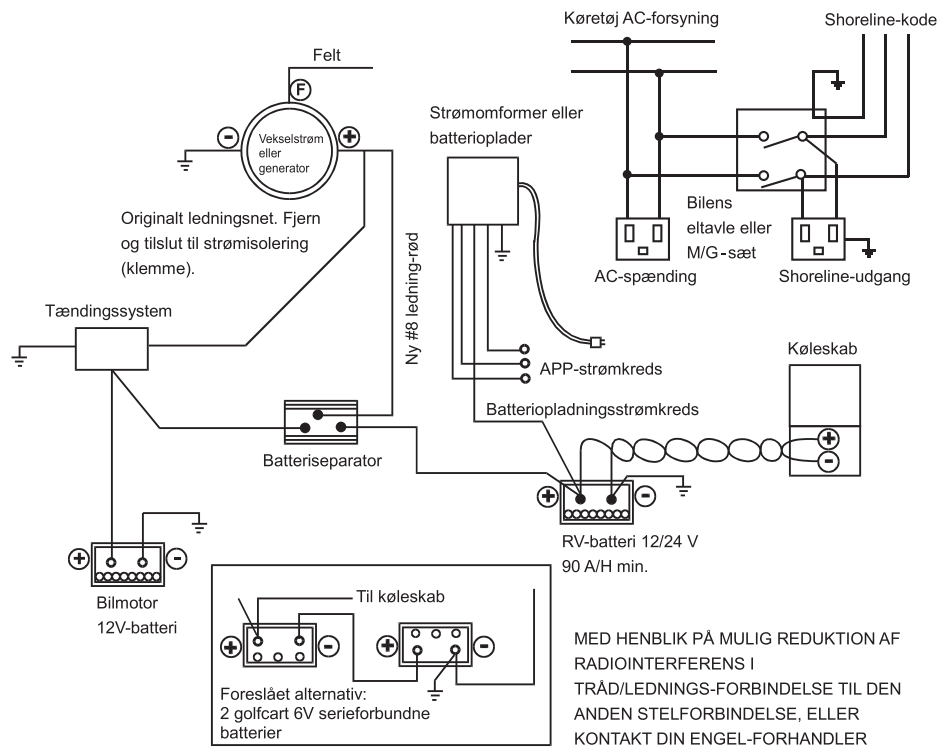
- 4) Det er vigtigt at vælge det rigtige ledningstværsnit, så spændingsfald undgås. Følg nedenstående skema, når du ledningsforbinder køleskabet med batteriet.

Afstand mellem enhed og batteri	Ledningstykkelser	
	DC 12 volt - brug	DC 24 volt - brug
Mindre end 6 meter (19 fod)	SWG#16 (AWG#14) / 2,1 mm <sup>2</sup>	SWG#18 (AWG#16) / 1,25 mm <sup>2</sup>
Fra 6 meter (19 fod) til 10 meter (32 fod)	SWG#14 (AWG#12) / 3,3 mm <sup>2</sup>	SWG#16 (AWG#14) / 2,1 mm <sup>2</sup>
Over 10 meter (32 fod) (Anbefales ikke, for lang)	SWG#12 (AWG#10) / 5,3 mm <sup>2</sup>	SWG#14 (AWG#12) / 3,3 mm <sup>2</sup>


- 5) Installer en 10 A-sikring i ledningsnettet i nærheden af batteriet. På denne måde undgås det, at ledningsnettet fra batteriet til køleskabet bryder i brand, såfremt der opstår en kortslutning.

### 6.2.3 Ledningsdiagram over dobbelt batteritilslutning

Ledningsdiagrammet nedenfor anbefales ved dobbelt batteritilslutning. (Se fig. 4)



( Fig.4 )


 **FORSIGTIG:** Installer en 15 A-sikring (12V DC) eller en 10 A-sikring (24V DC) i ledningsnettet nær ved batteriet. På denne måde undgår du, at køleskabet tager skade ved omvendt polaritet eller kortslutning.

## **7. Vedligeholdelse af køleskabet**

### **7.1 Rengøring af kabinet og dør**

Afbryd altid køleskabet fra strømkilden, før du rengør eller vedligeholder det.

- Rengør køleskabet indvendigt med en klud, der er vredet op i varmt vand, og tør det af igen med en tør klud.
- Rengør døren til køleskabet med en våd klud.
- Rengør den indvendige kondensator for urenheder (støv osv.) med jævne mellemrum.

 **NB:** Brug aldrig en børste, sæbe i pulverform, ruderens, syre, aromatiske kulbrinter, benzin eller mineralske fortyndere til at gøre køleskabet rent med, da disse rengøringsmidler let kan ridse plastmaterialet og lakken.

### **7.2 Afrimning**

På grund af fugten inde i kabinettet vil der dannes rim på fordamperens overflade, når den har været i brug et stykke tid.

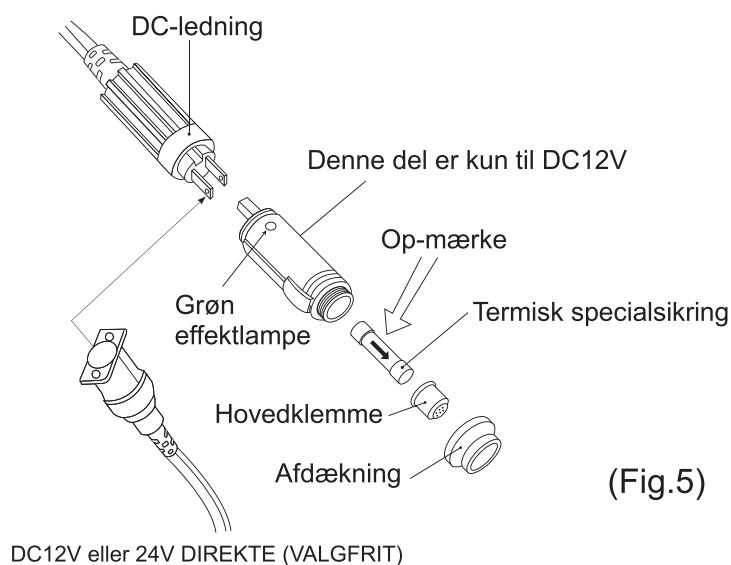
Rimlag med en tykkelse på 6 mm (1/4 tomme) eller mere reducerer køleeffekten. Derfor skal fordamperen afrimes med regelmæssige mellemrum.

Sluk for køleskabet, og tag stikket ud for at afrime fordamperen fuldstændigt.

### 7.3 Pas på ved sikringen, og når du udskifter den


Stikket til cigarettænderens DC-ledning har en særlig termisk sikring, der afbryder strømmen ved unormale situationer som f.eks. overophedning af stikket.

- 1) Fjern afdækningen på enden af DC-ledningens stik ved at skrue den mod uret.
- 2) Når du fjerner afdækningen, skal du også fjerne hovedklemmen og sikringen.
- 3) Træk sikringen ud af hovedklemmen.
- 4) Udskift sikringen med en ny. Husk samtidigt at kontrollere korrekt polaritet (fig. 5). Brug altid den særlige termiske sikring, der leveres af Engel-forhandleren. Pilen på sikringen skal pege hen mod hovedklemmen som vist på fig. 5 nedenfor.



- 5) Saml DC-ledningsstikket i omvendt rækkefølge, og sæt afdækningen godt på.
- 6) Kontroller, at køleskabet virker som det skal.

Hvis du opdager andre problemer, bedes du kontakte nærmeste autoriserede ENGEL-forhandler.

 **FORSIGTIG:** Brug ikke almindelige glastrørssikringer. Brug kun de sikringer, der er udviklet eksklusivt til ENGEL-køleskabet og distribueret af firmaets forhandlere.

### **8. Fejlfinding**

Fejl	Mulig årsag	Handling
Kompressoren arbejder ikke	Der leveres ikke strøm  Batteri i dårlig forfatning. Fejlbehæftet elektronisk enhed.  Fejl i den elektroniske enhed	Kontroller, om der sendes strøm til den elektroniske enhed  Kontroller sikringen.  Kontroller stik og kablers polaritet.
Kabinettet ikke koldt	Omgivende temperatur for høj.  Utilstrækkelig ventilation  Rim på fordamperen  Kondensator tilstoppet	Sørg for, at køleskabet ventileres tilstrækkeligt.  Afrim fordamperen. (se 7.2 Afrimning)  Rengør kondensatoren.

Hvis problemet stadig vedvarer, når du har tjekket af på skemaet ovenfor, skal du kontakte en ENGEL-servicerepræsentant eller forhandler i nærheden af din bopæl.

Skil aldrig selv køleskabet ad. Dårligt udførte reparationer kan medføre væsentlige faremomenter.

## **9. Bortskaffelse**

### **ADVARSEL**

- For at sikre at et barn ikke kan blive lukket inde i køleskabet, skal du gøre følgende, før du bortskaffer det:
  - Fjern døren fra køleskabet.
- Dette køleskab er markeret med symbolet, der vises nedenfor. Det betyder, at køleskabet ikke bør bortskaffes som almindeligt husholdningsaffald.



Køleskabet skal bortskaffes miljømæssigt korrekt. Spørg evt. de lokale myndigheder.

Cyclopentan bruges i isoleringen, der kræver en særlig bortskaffelsesprocedure. Kontakt de lokale myndigheder med henblik på at bortskaffe køleskabet miljømæssigt korrekt.

## **10. Garanti**

Køleskabet omfattes af den lovbestemte garantiperiode.

Hvis køleskabet viser sig at være fejlbehæftet, skal du kontakte en af de firmarepræsentanter, hvis kontaktinformationer findes på side 28 i denne håndbog, eller en ENGEL-forhandler i nærheden af din bopæl.

Ved reparation eller garantikrav bedes du have følgende dokumenter, der ledsager køleskabet, parat.

- En kopi af kvitteringen med købsdato
- Grunden til forsikringskravet og/eller en beskrivelse af fejlen

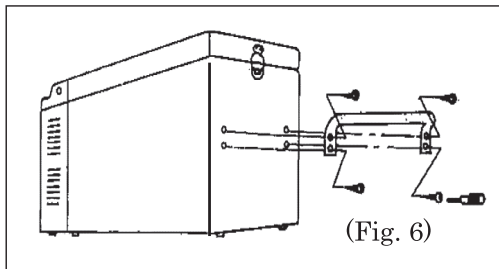


## **11. Før første anvendelse**

### **11.1 Montering af håndtag**

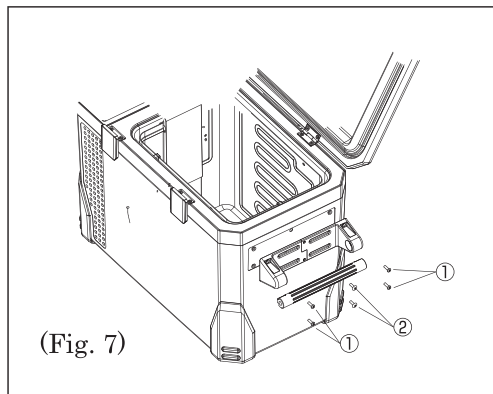
**Monter de to håndtag, der ligger inde i køleskabet, på følgende måde.**

- MT-serie



Håndtagene kan skrues på siderne af køleskabet. (Fig.6)

- MR040F-G3



Håndtagene kan skrues på siderne af køleskabet. (Fig.7)

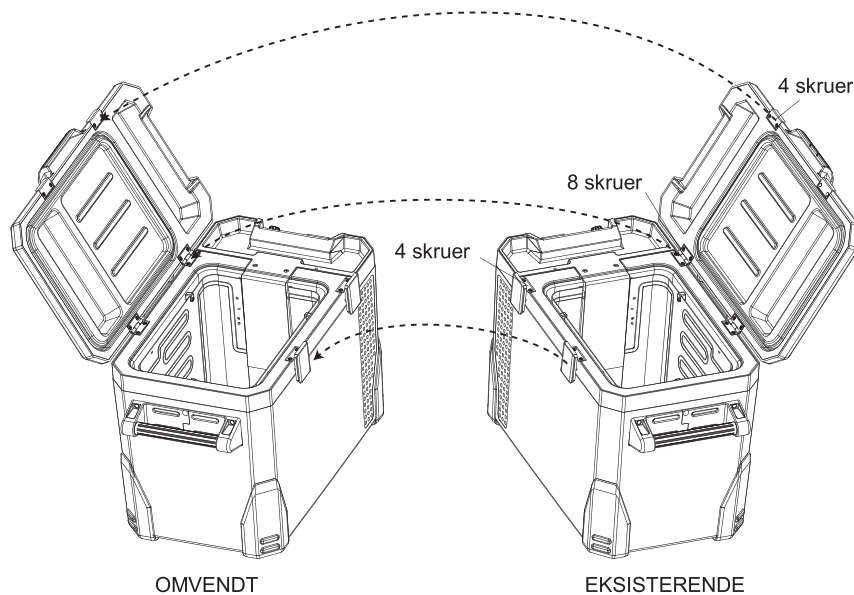
① Skruer med panhoved, 8 stk.

② Skruer med fladt hoved, 4 stk.

## 11.2 Ændring af dørens svingretning (MR040F-G3)





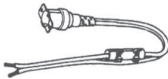
Følg fremgangsmåden nedenfor for at ændre dørens svingretning.

- 1) Fjern de 16 skruer, der fastholder hængslerne og beslagene. (Se fig. 8)
- 2) Anbring dem på den anden side med beslag, og skru døren på kabinettet igen.



(Fig. 8)




## 12. Oversigt over strømledninger

<b>A</b>	AC-LEDNING	MT17F-G3-D MT27F-G3-D MR040F-G3	
<b>B</b>	AC-LEDNING	MT35F-SERIE MT45F-SERIE	
<b>C</b>	DC-LEDNING	ALLE MODELLER	
<b>D</b>	DC-LEDNING	BATTERI- LEDNING (VALGFRIT)	  <p>DC12V eller DC24V DIREKTE</p> <p>DEL AF DC-LEDNING</p>

### **13. Tekniske data**

Modeller	<b>MT17F-G3-D</b>	<b>MT27F-G3-D</b>
Indgangsspænding:	12/24V $\equiv$ og 220-240V 50/60Hz	
Mærkestrøm:	12V $\equiv$ : 2,5 A 24V $\equiv$ : 1,2A 220-240V $\sim$ : 0,37A	
Kølekapacitet:	+8°C til -18°C	+8°C til -16°C
Kategori:	1	
Energiklasse:	A+	
Energiforbrug:	106 kWh/år	103 kWh/år
Bruttovolumen:	16 liter	23 liter
Opbevaringsvolumen:	15 liter	20 liter
Klimaklasse:	T	
Omgivende temperatur:	+ 16°C ~ +43°C	
Lydtrykniveau:	44dB (A)	
Mål B x D x H (mm)	307 X 549 X 364 mm	307 X 549 X 465mm
Vægt:	16 kg	15kg

Modeller	<b>MT35F-G3 MT35F-G3-DM MT35F -G3-S</b>	<b>MT45F-G3 MT45F-G3-DM MT45F -G3-S</b>
Indgangsspænding:	12/24V $\overline{\text{---}}$ og 220-240V~ 50/60Hz	
Mærkestrøm:	12V $\overline{\text{---}}$ : 2,5 A 24V $\overline{\text{---}}$ : 1,2A 220-240V~ : 0,37A	
Kølekapacitet:	+8°C til -18°C	
Kategori:	1	
Energiklasse:	A+	
Energiforbrug:	105 kWh/år	97 kWh/år
Bruttovolumen:	34 liter	45 liter
Opbevaringsvolumen:	32 liter	40 liter
Klimaklasse:	T	
Omgivende temperatur:	+ 16°C ~ +43°C	
Lydtrykniveau:	46dB (A)	47dB(A)
Mål B x D x H (mm)	364 X 647 X 407mm	364 X 647 X 497mm
Vægt:	21kg	24kg

Modeller	<b>MR040F-G3</b>
Indgangsspænding:	12/24V  og 220-240V~ 50/60Hz
Mærkestrøm:	12V  : 2,75A 24V  : 1,4A 220-240V~: 0,37A
Kølekapacitet:	+8°C til -18°C
Kategori:	1
Energiklasse:	A+
Energiforbrug:	104 kWh/år
Bruttovolumen:	41 liter
Opbevaringsvolumen:	38 liter
Klimaklasse:	T
Omgivende temperatur:	+ 16°C ~ +43°C
Lydtrykniveau:	44dB (A)
Mål B x D x H (mm)	636 X 396 X 471mm
Vægt:	22kg

**!** NB

Hvis den omgivende temperatur overskrider +32 °C (+90 °F), kan den ovenfor nævnte laveste temperatur ikke opnås.

Kølemiddel R134a indeholdt i kølevæsken.

Test/certifikater



## **14. Servicerepræsentant**

<Østrig>

HOECO Handels GmbH

Fischgasse 44

A-2483 Ebreichsdorf, Østrig

Tlf.:+43 02254 72031 0

[www.hoeco.at](http://www.hoeco.at)

<Frankrig>

OUTBACK IMPORT

Z.A Mathias Sud

26320 St Marcel-les-Valence, Frankrig

Tlf.:+33 0 4 7585 10 48

[www.outback-import.fr](http://www.outback-import.fr)

<Forende Kongerige>

Bainbridge International Ltd

Unit 8, Flanders Industrial Park, Hedge End

Southampton, Hampshire SO30 2FZ, Det Forenede  
Kongerige

Tlf:+44 01489 776000

[www.bainbridgeint.com](http://www.bainbridgeint.com)



**SAWAFUJI ELECTRIC CO., LTD.**

3, NITTAHAYAKAWA-CHO, OTA-CITY,  
GUNMA 370-0344, JAPAN

Tlf.: +81(0)276-56-7139

FAX: +81(0)276-56-6075

MR- · MT-serie 2015