

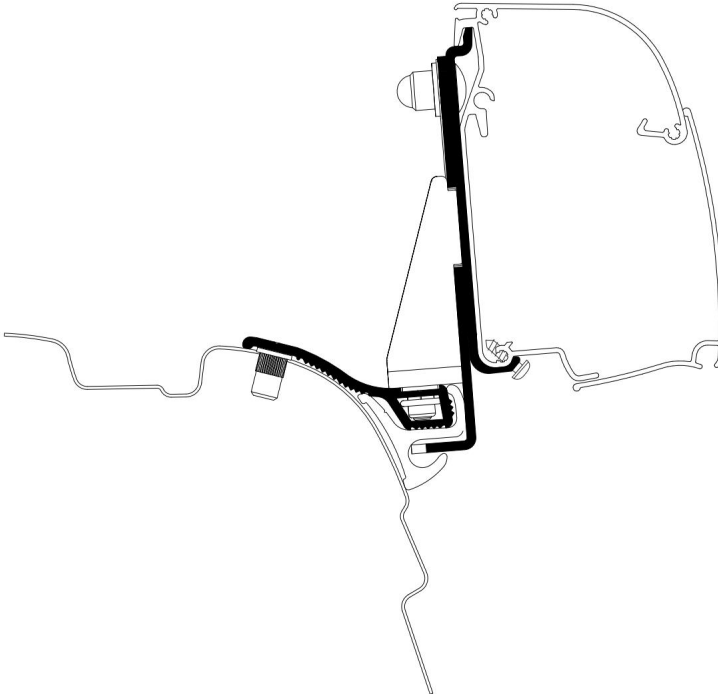
INSTALLATION

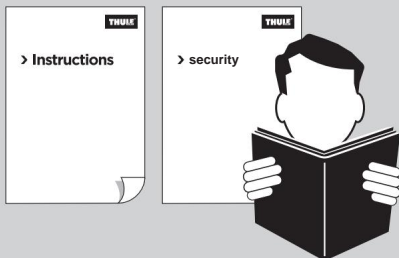
Instructions

Warning Adapter VW T5/T6 Reimo Multi Rail Thule 4200

LHD: 301986, 301988

RHD: 301968, 301969



EN ADAPTER - USER INSTRUCTIONS

EN	adapter - User Manual
NL	adapter - Gebruikershandleiding
FR	adaptateur - Instructions for use
IT	Adattatore - Istruzioni per l'uso
ES	adaptador - Instructions for use
SV	adapter - Användarmanual
FI	Adapteri - Käyttöohje
DA	adapter - Brugervejledning
NO	adapter - Bruker Instructor
PL	adapter - Instrukcja dla użytkownika

1 WARNINGS & INFO**4**

Warnings & Info / waarschuwingen & info / avertissements et informations / avvertimenti e informazioni / advertencias e información / varningar & info / varoitukset ja tiedot / advarsler og info / advarsler og info / ostrzeżenia i informacje

2 FITGUIDE**5**

Application table / fitting table / table d'application / guida di adattamento / guía de ajuste / application table / sovellus taulukko / application table / applikasjonstabell / tabela aplikacji

3 CONTENT**6**

Content / inhoud / contenu / contenuto / contenido / innehåll / sisältö / indhold / innhold / zawartość

4 TOOLS**7**

Tools / gereedschappen / outils / strumenti / herramientas / verktug / työkalut / værktøjer / verktøy / narzędzia

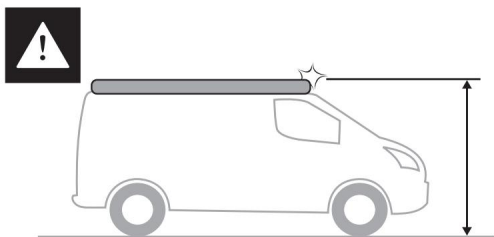
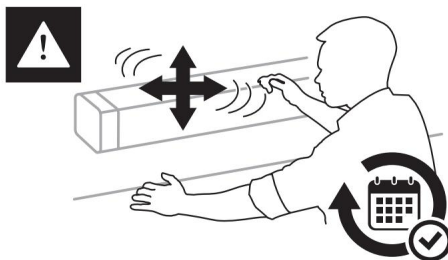
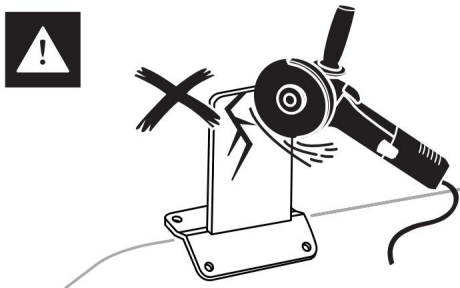
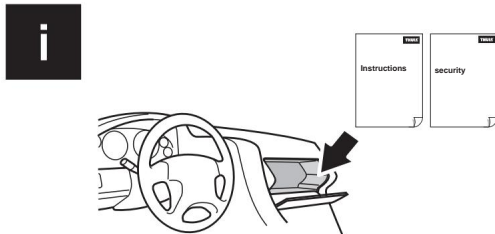
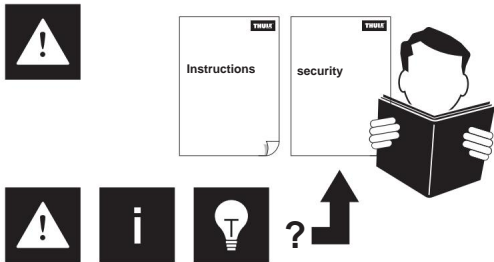
5 INSTALLATION**8th**

Installation / installatie / installation / installazione / instalación / installation / asennus / installation / installasjon / instalacja

6 RAIN GUTTER INSTALLATION**20**

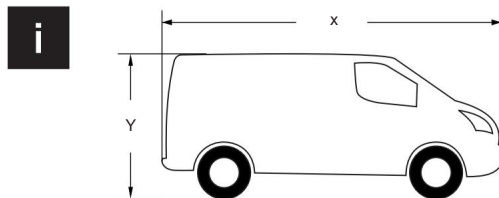
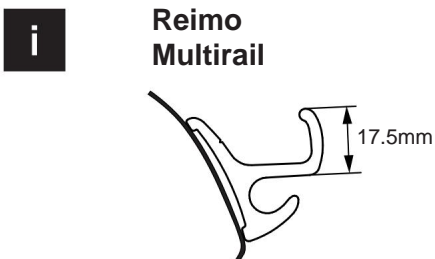
Gutter Installation / gutter installation / Installatie goot / Installation de la gouttière / Installazione della grondaia / Instalación del canalón / Installation av droplister / Kourun asennus / Montering af tagrende / Montering av renne / Instalacja rynienki

1 WARNINGS & INFO



2 FIT GUIDE

FIRE	MODEL	YEAR	ADAPTER	AWNING
Volkswagen	Transporter T5 L1H1 LHD	2003-2015	301986	Thule 4200 - 2.60 m
	Transporter T5 L1H1 RHD		301968	
	Transporter T5 L2H1 LHD		301988	Thule 4200 - 3.00 m
	Transporter T5 L2H1 RHD		301969	
	Transporter T6 L1H1 LHD	2016-2019	301986	Thule 4200 - 2.60 m
	Transporter T6 L1H1 RHD		301968	
	Transporter T6 L2H1 LHD		301988	Thule 4200 - 3.00 m
	Transporter T6 L2H1 RHD		301969	
	Transporter T6.1 L1H1 LHD	2019-....	301986	Thule 4200 - 2.60 m
	Transporter T6.1 L1H1 RHD		301968	
	Transporter T6.1 L2H1 LHD		301988	Thule 4200 - 3.00 m
	Transporter T6.1 L2H1 RHD		301969	



X	Y	
L1 4900mm	H1 1990mm	✓
L2 5300mm	H2 2180mm	✓
	H3 2480mm	✗

3 CONTENT



x6
M6x18
DIN9021x6 _
M6x18
DIN 9021



A2x6 _
M6
DIN985x6 _
M6
DIN 985



x6 A2
M6x16
DIN 965 - TX30
x6
M6x16
DIN 965 - TX30



A2x4 _
M6x16
DIN912x4 _
M6x16
DIN 912
A2



x4
M6x9x24
Blind rivet nut
x4



M6x9x24
Blind rivet nut
x4
M6
SCHNORR
x4
M6
SCHNORR



A2x2 _
M6x20
DIN912x2 _
M6x20
DIN 912
A2



x4
M6x20
DIN603x4 _
M6x20
DIN 603
A2



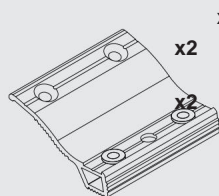
x6
M6
Nut cap
x6



Nut cap
x4
4.2 x 16mm
DIN 7504 -
TX20x4
A2
4.2x16mm
DIN 7504 - TX20
A2



PRIMER **x4**



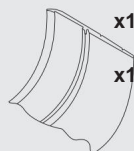
x4
x4
x2
x2



x2
x2



x1
x1



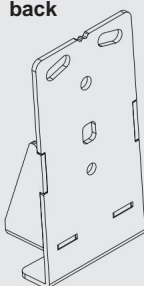
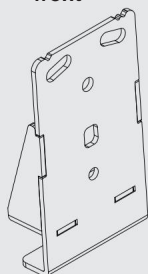
x1
x1

L1

LHD & RHD

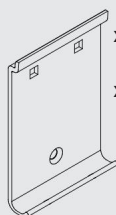
front

back



x1
x1

x1
x1



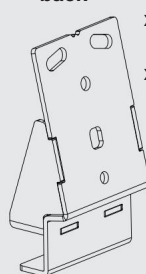
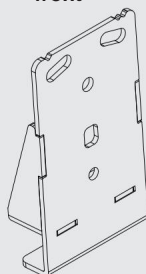
x2
x2

L2

LHD & RHD

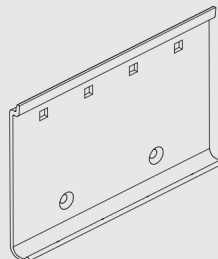
front

back



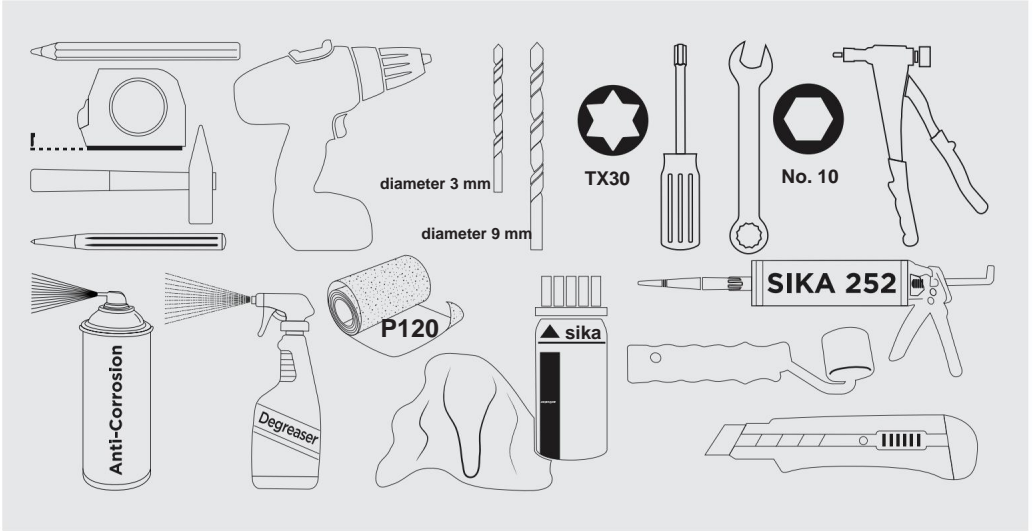
x1
x1

x1
x1



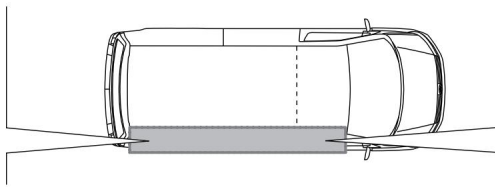
x2
x2

4 TOOLS



5 INSTALLATION

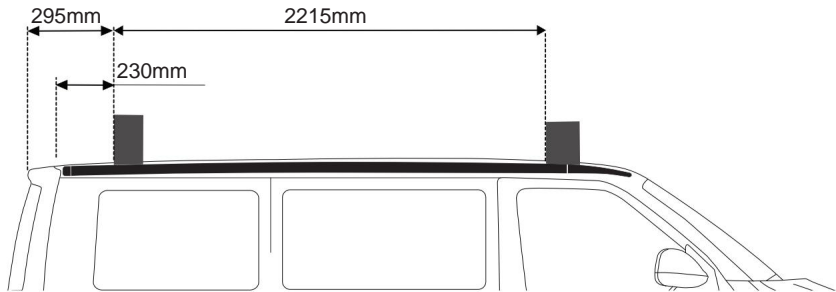
1



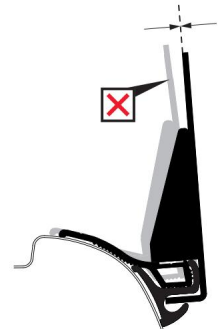
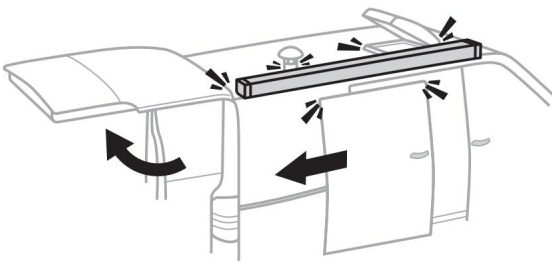
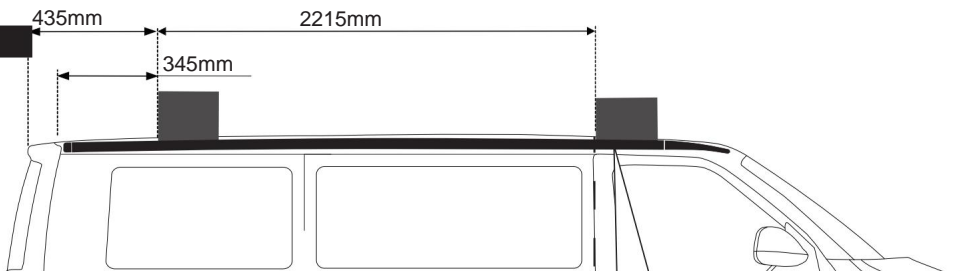
2



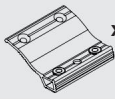
L1



L2



3



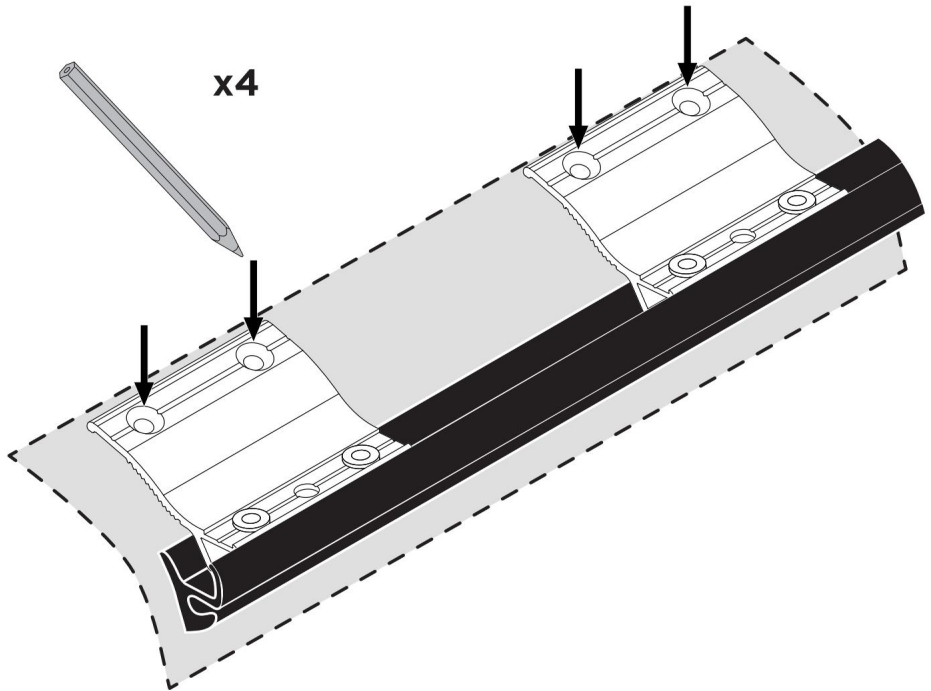
x2



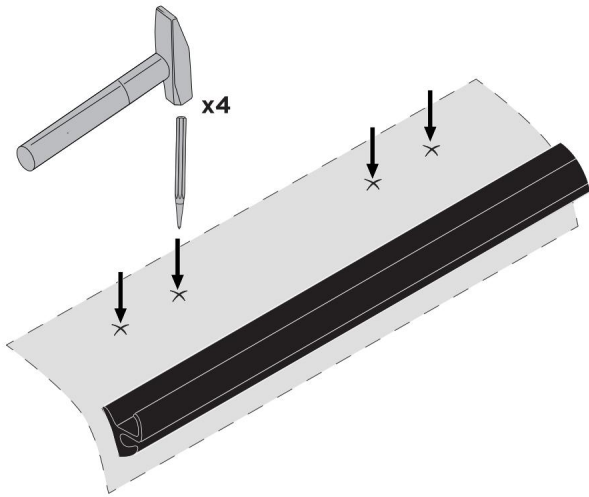
diameter 9 mm
diameter 3 mm



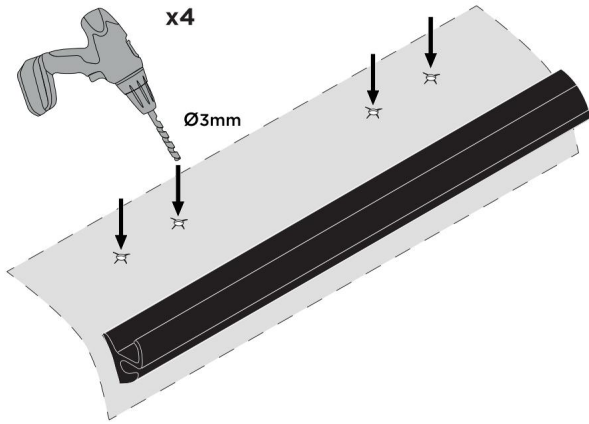
A



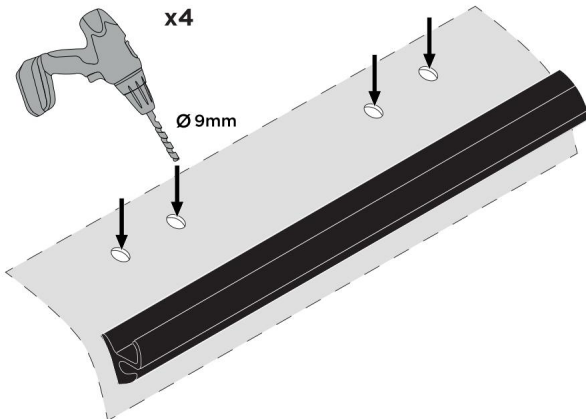
B



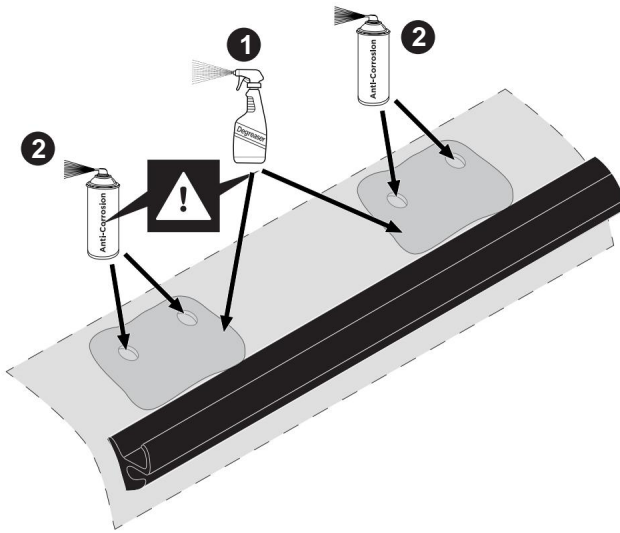
C



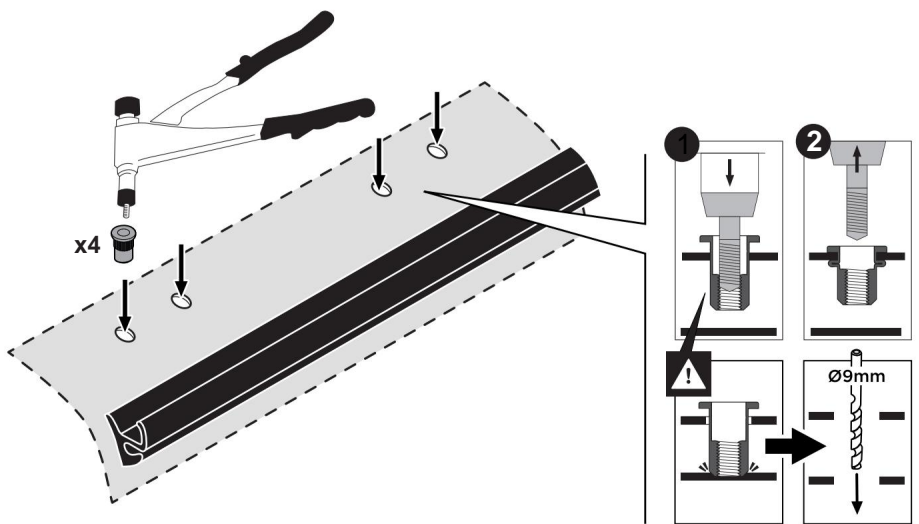
D



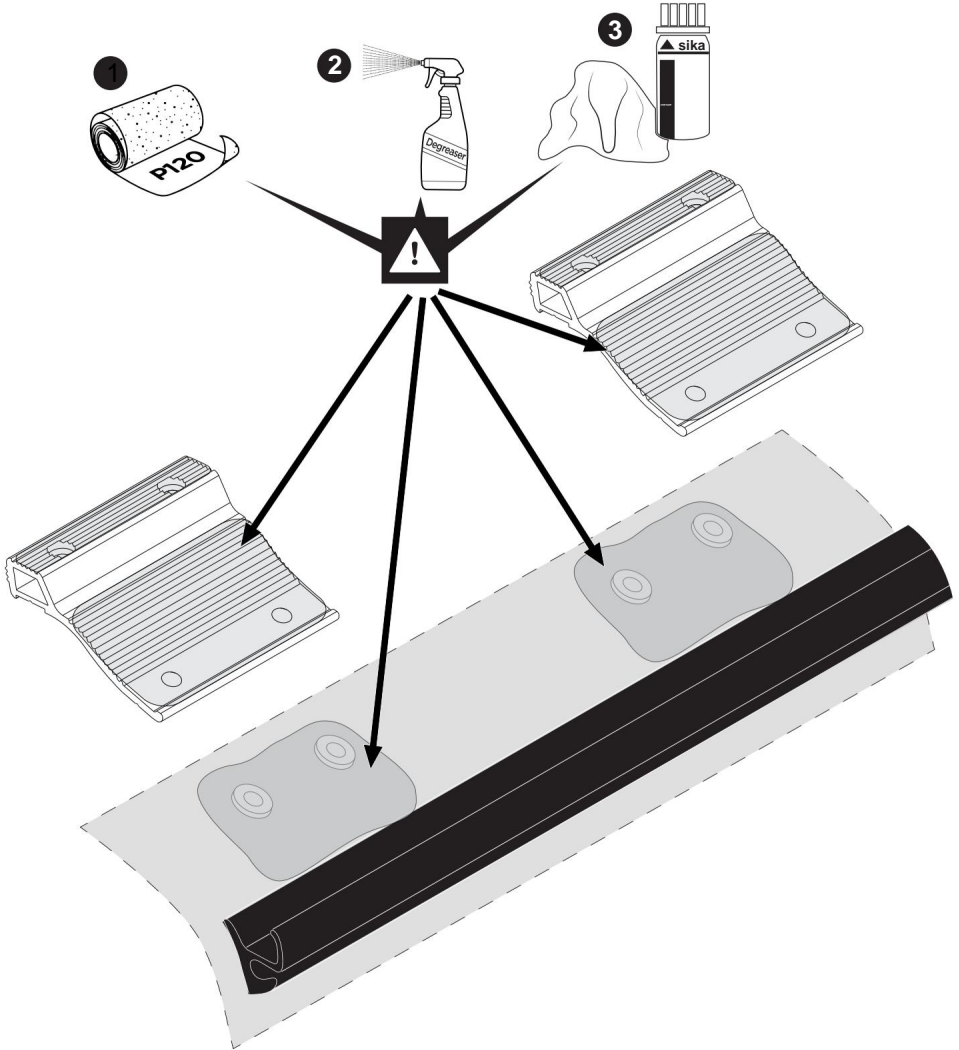
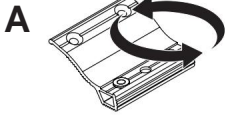
E



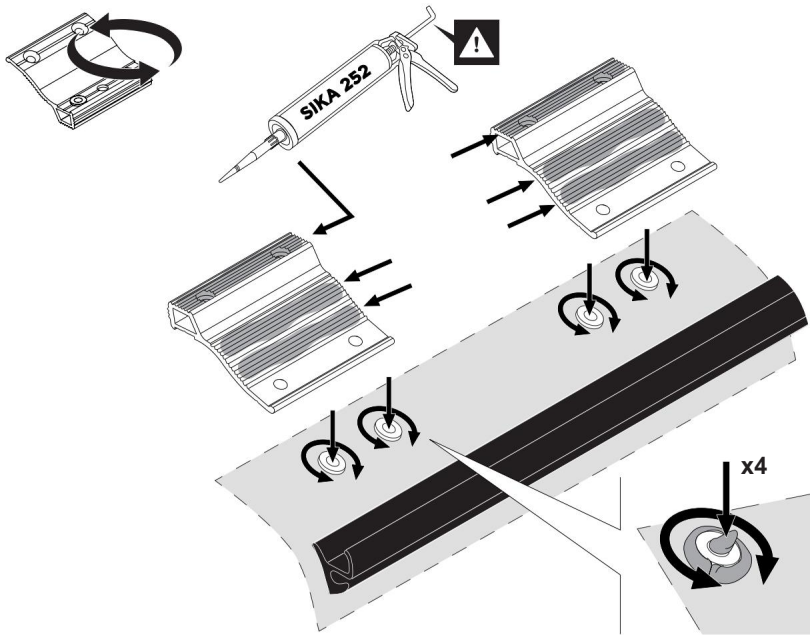
4



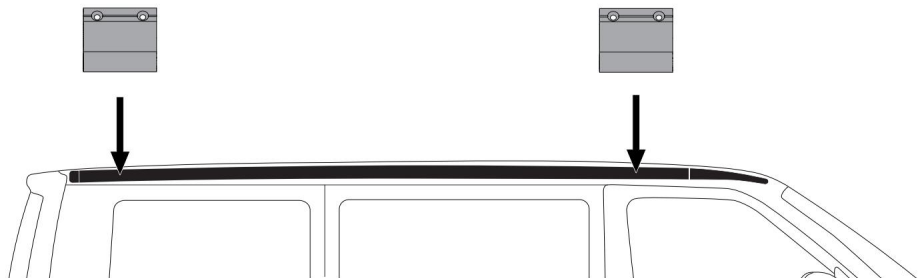
5



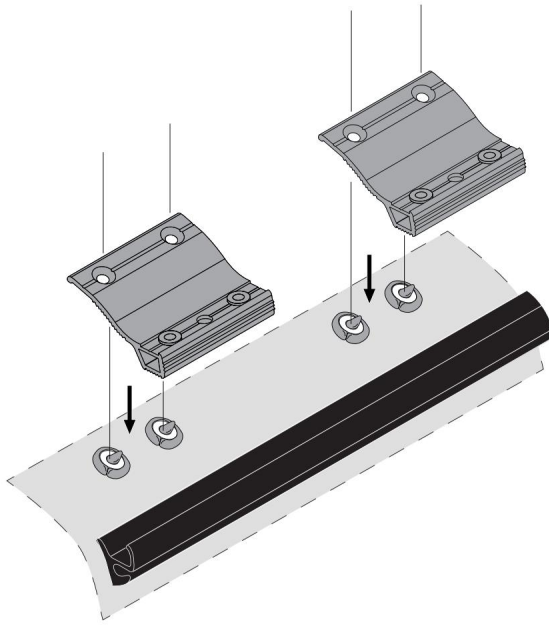
B



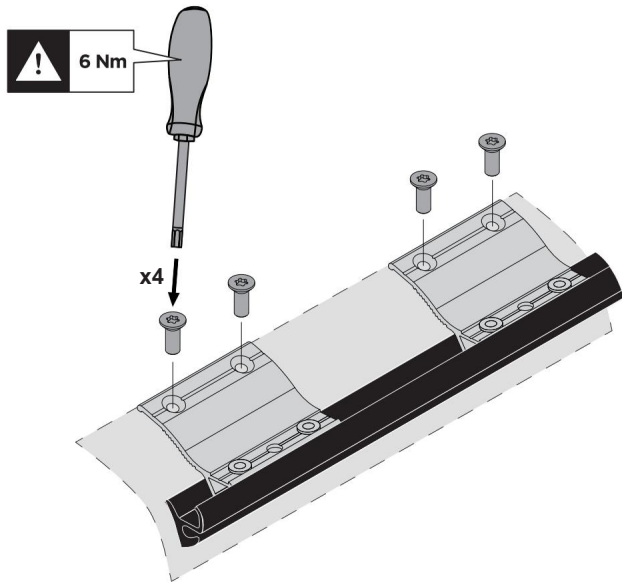
6



A



B



7



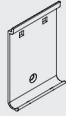
8th



front
x1



back
x1



x2



x2



x4



x6



x6



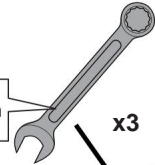
No. 10

L1

LHD

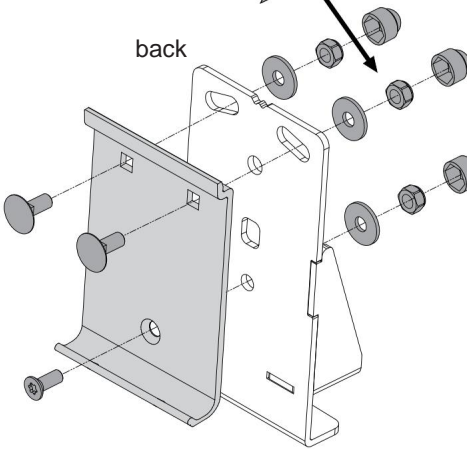


6 Nm

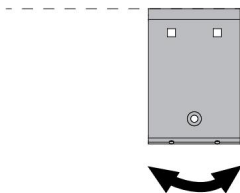
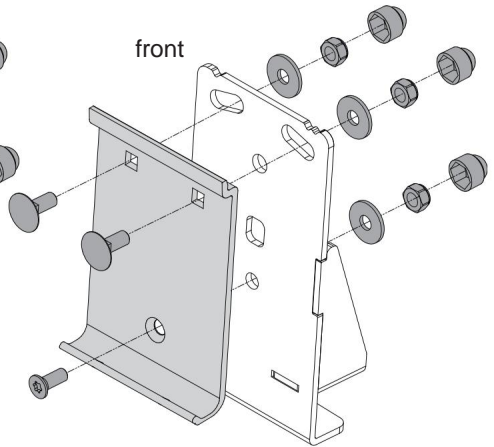


x3

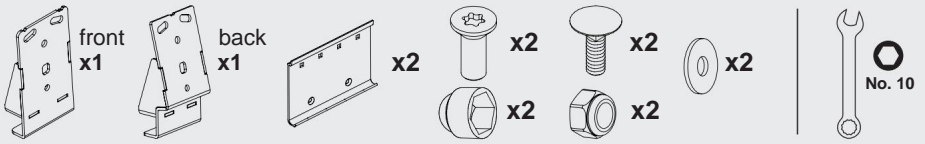
back



front

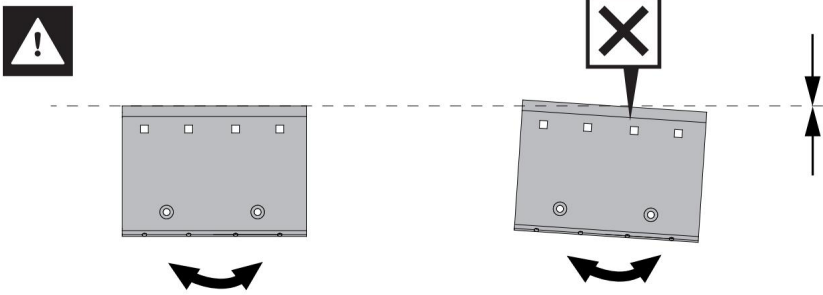
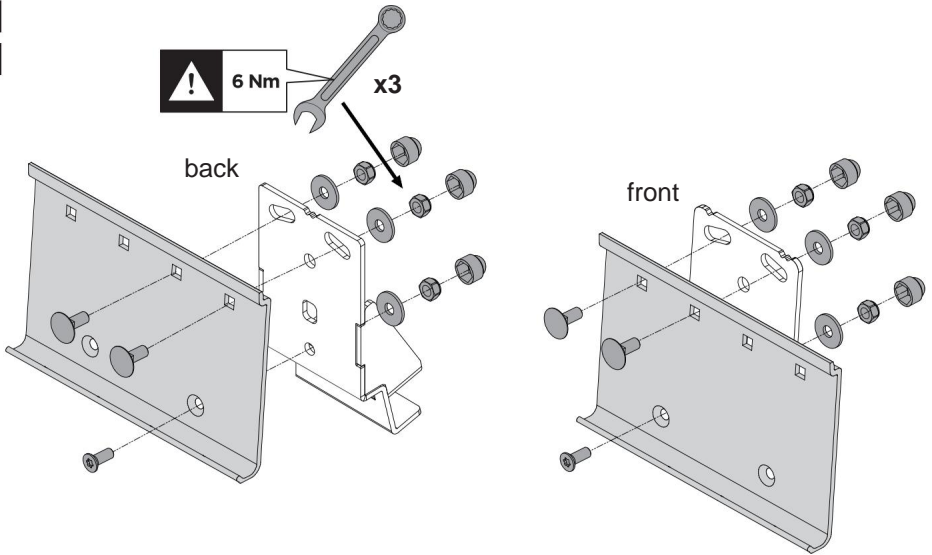


9



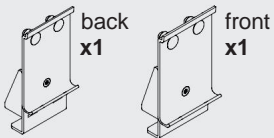
L2

LHD

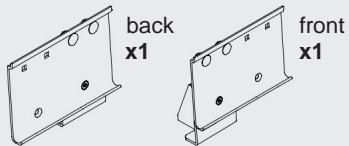


10

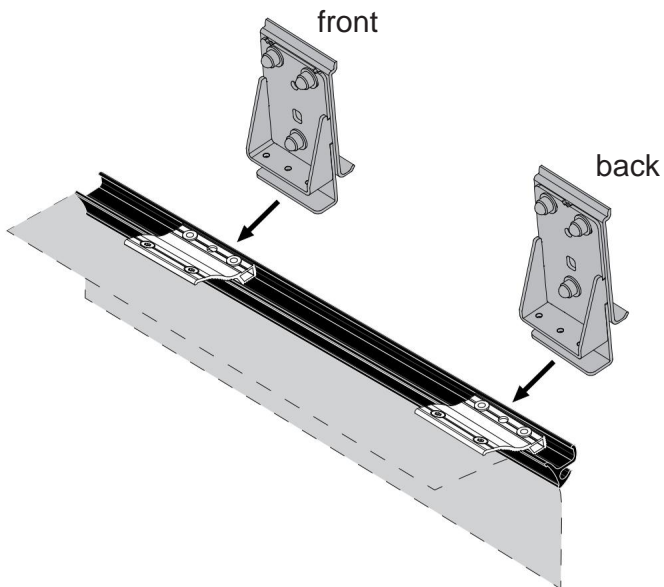
L1
LHD



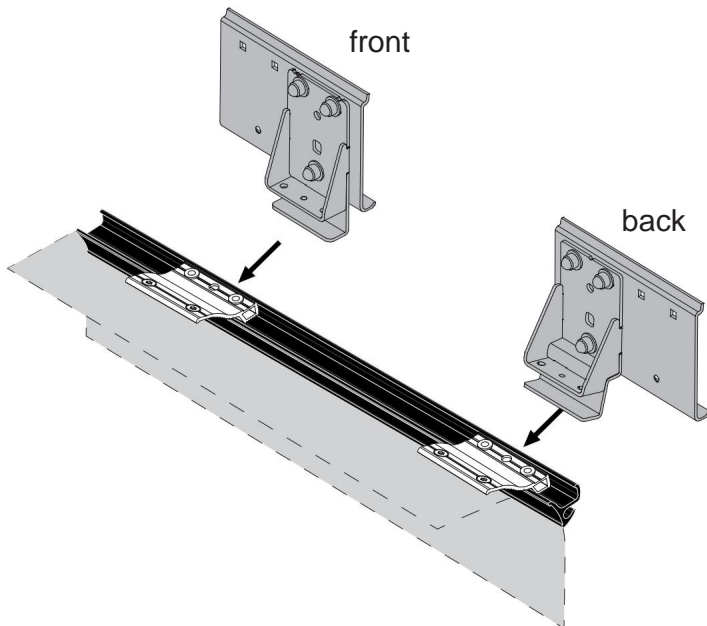
L2
LHD



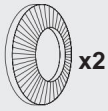
L1
LHD



L2
LHD

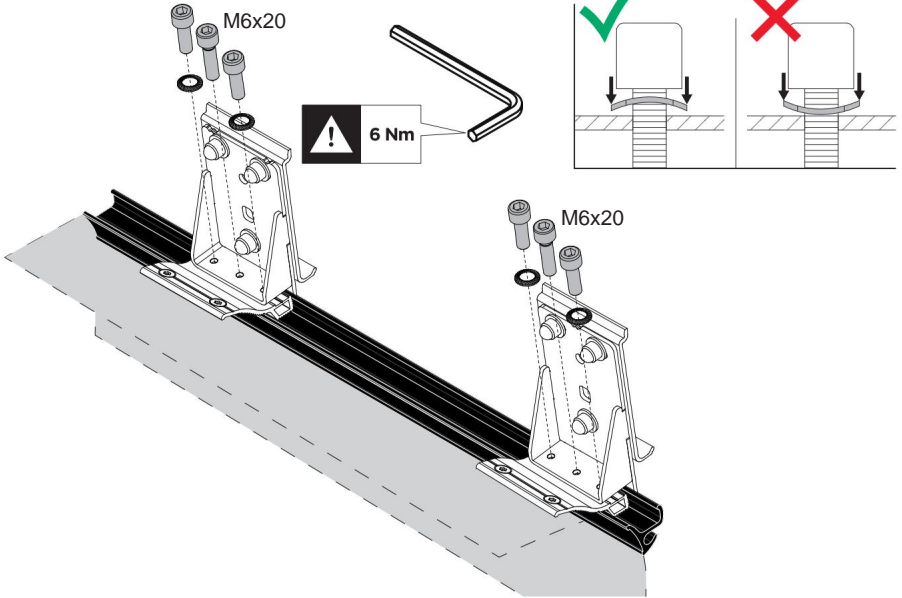


11



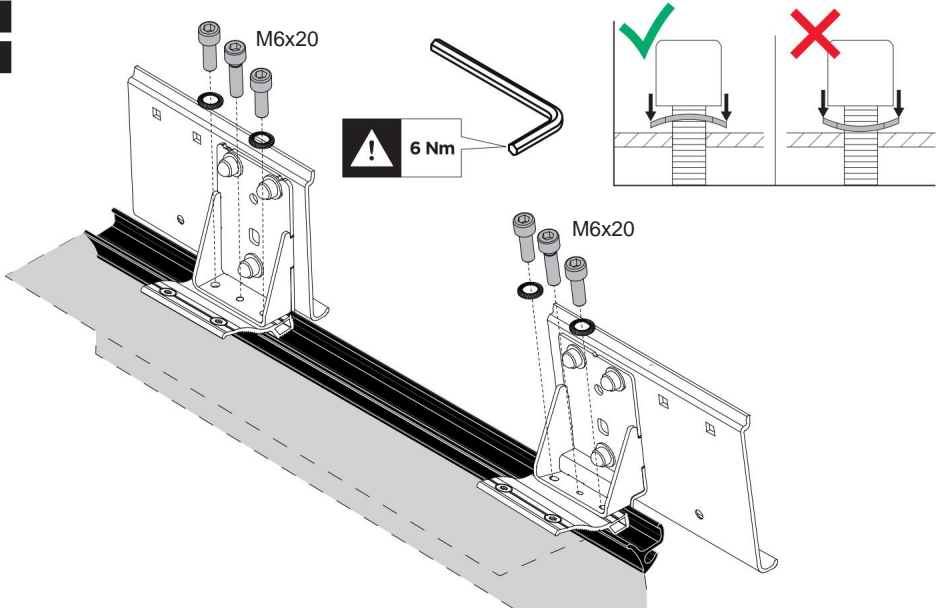
L1

LHD

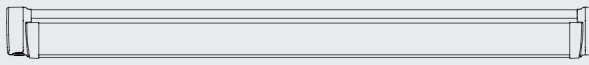


L2

LHD



12



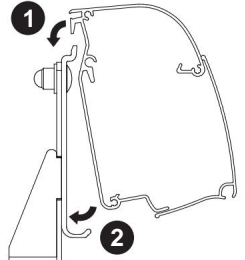
2.6m / 3.00m



x2

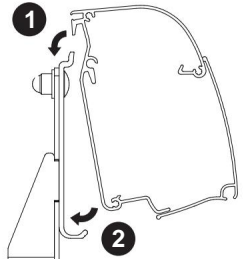
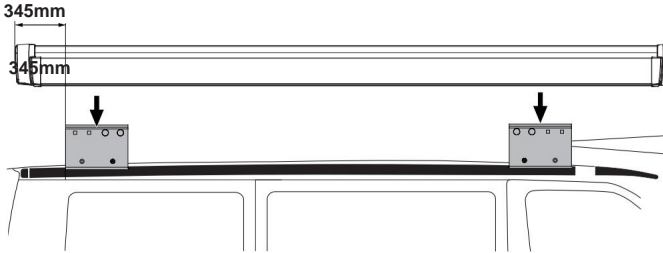
L1

LHD



L2

LHD



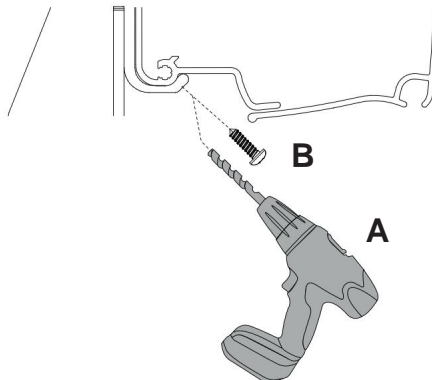
13



diameter 3 mm

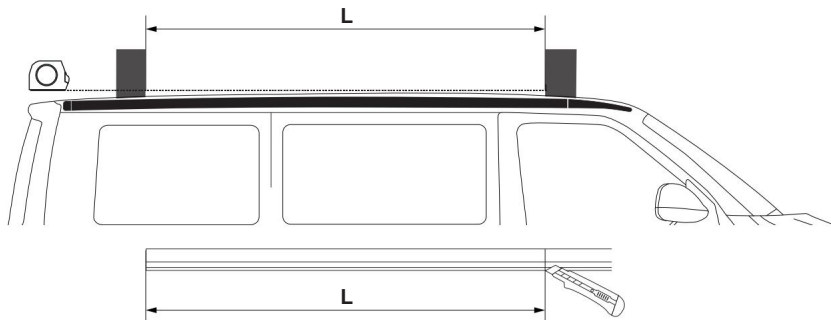


TX20

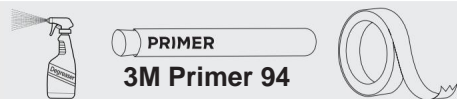


6 RAIN GUTTER INSTALLATION

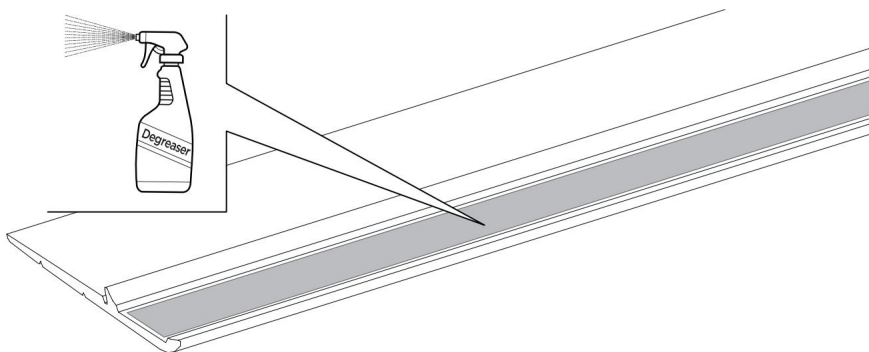
1



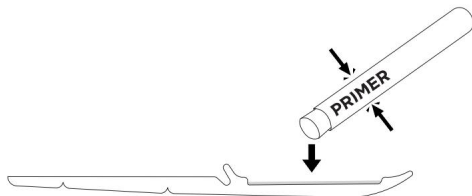
2



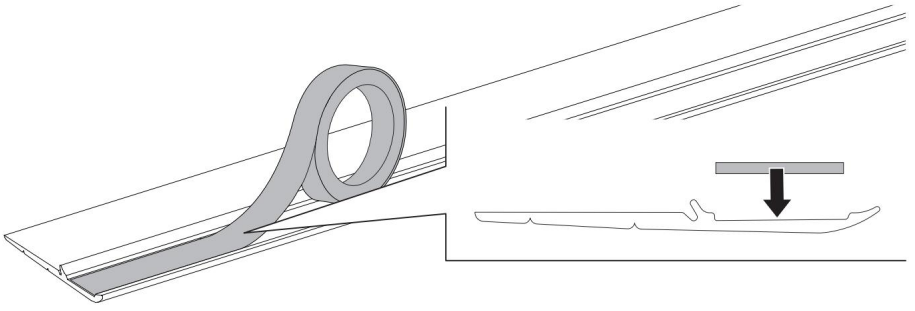
A



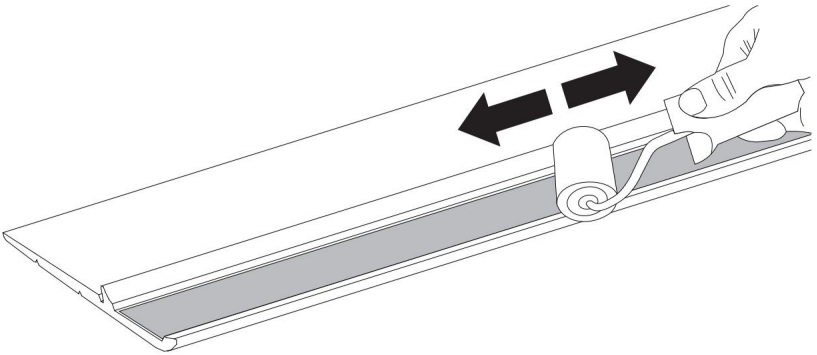
B



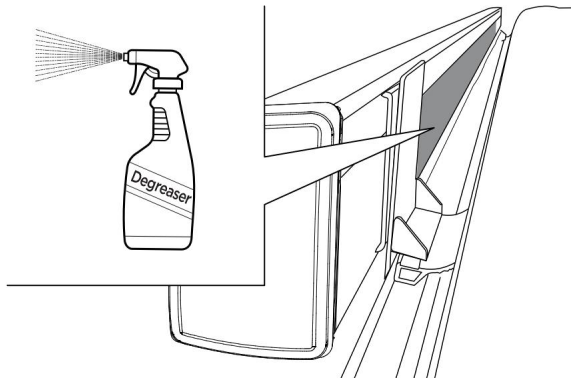
C



3



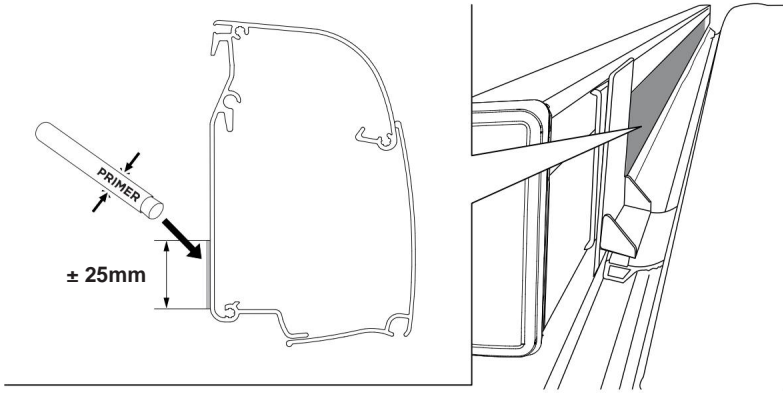
4



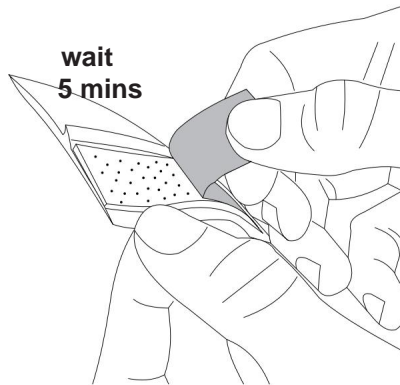
5

PRIMER

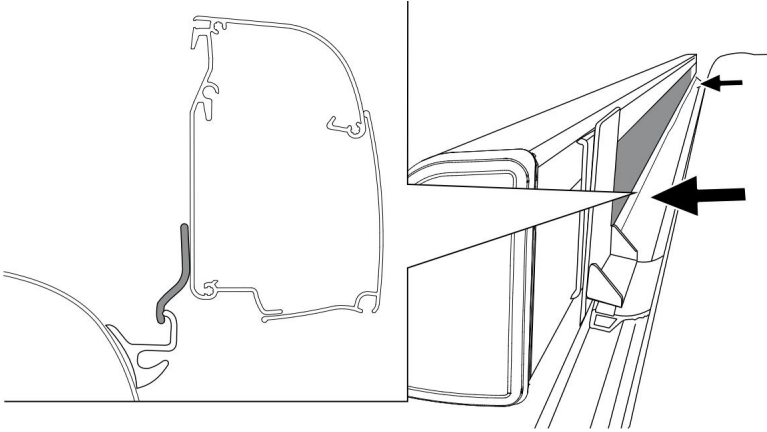
3M Primer 94



6



7



8th

